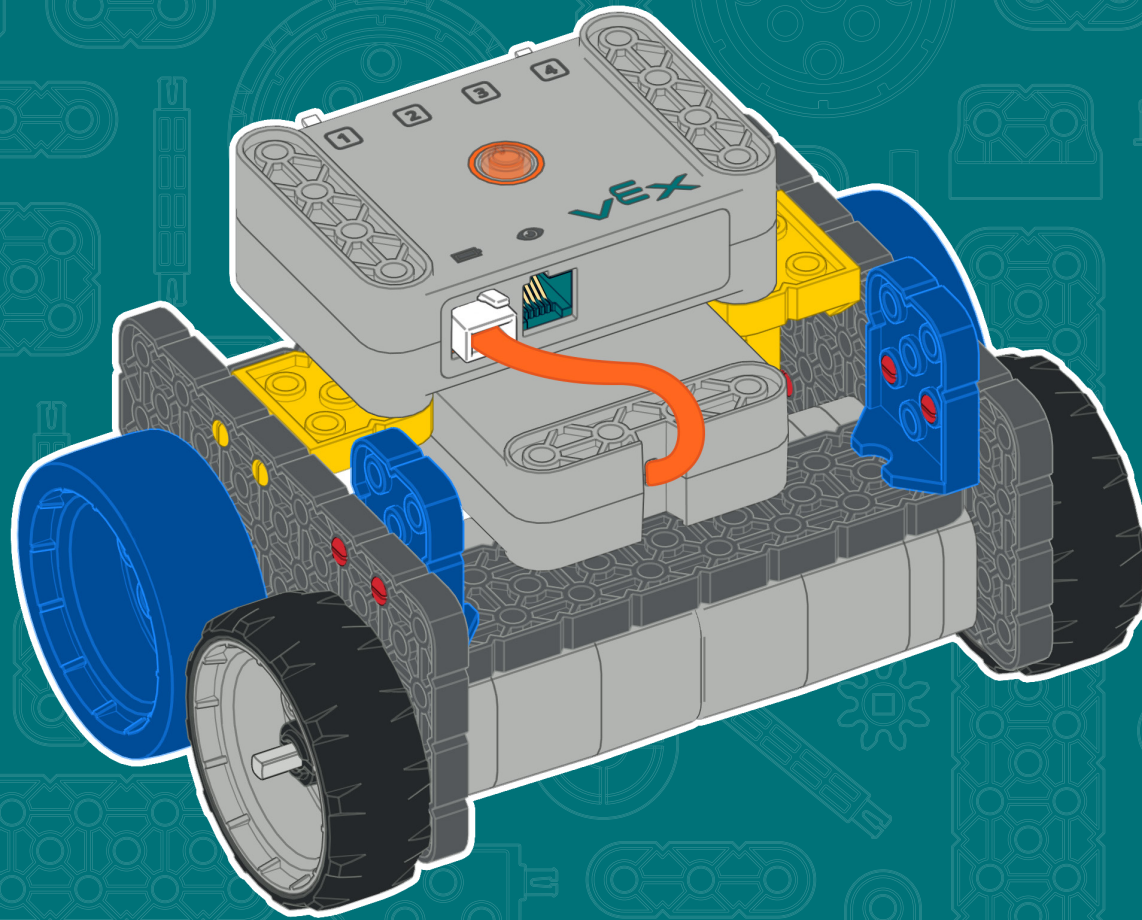
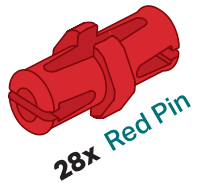


VEX GO

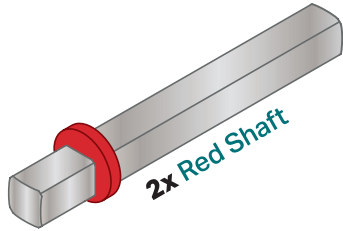
Code Base Build Instructions



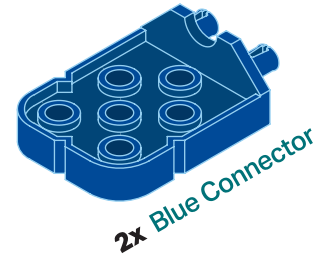
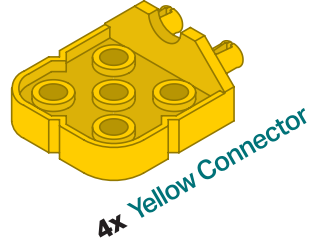
Pins



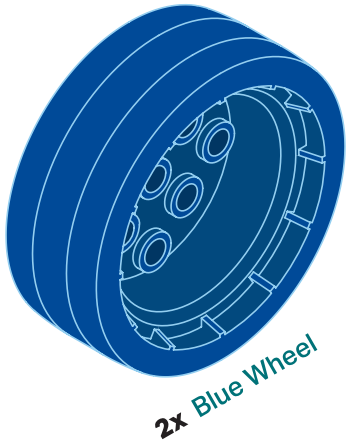
Shafts



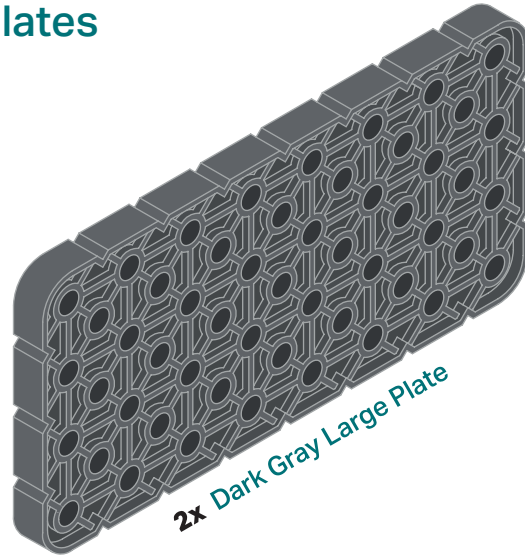
Connectors



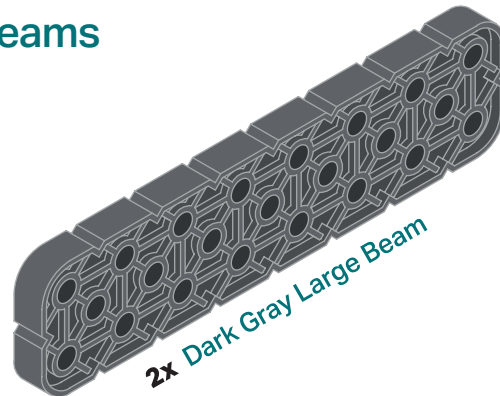
Wheels



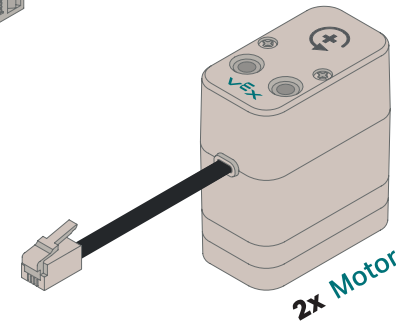
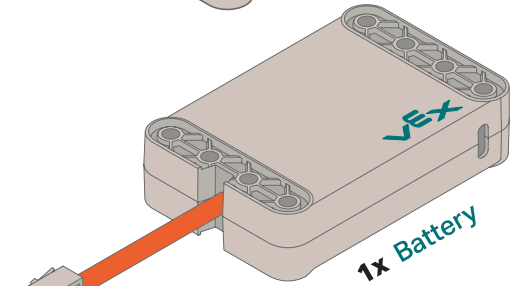
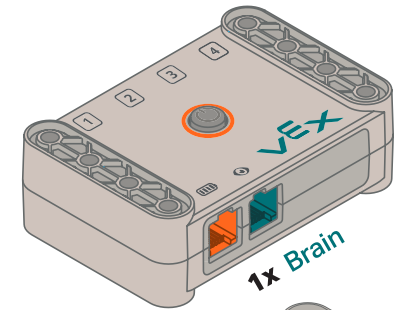
Plates



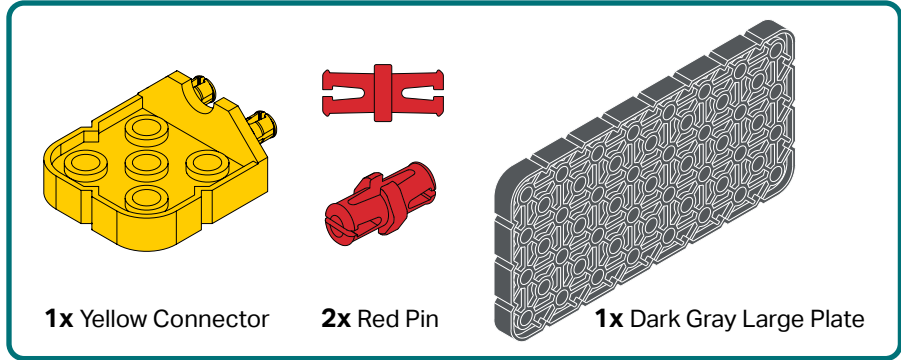
Beams



Electronics

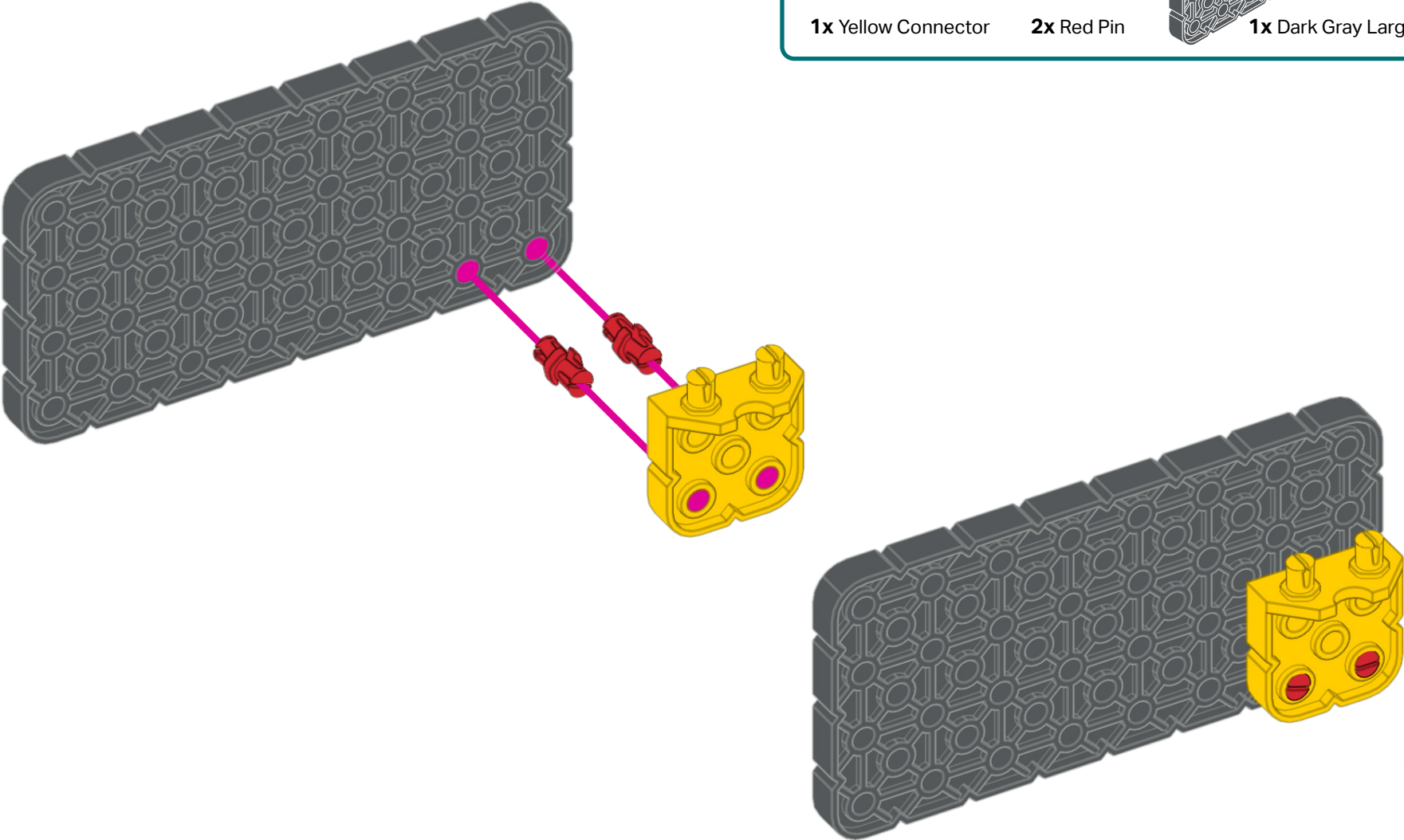


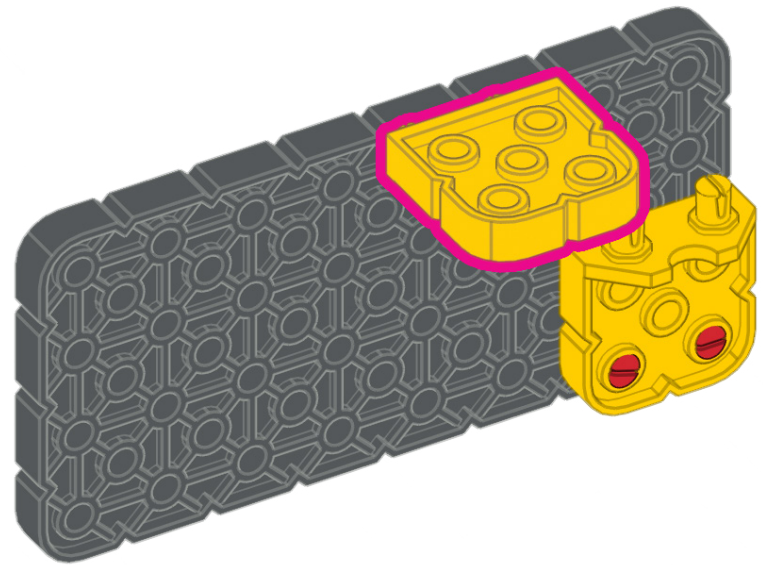
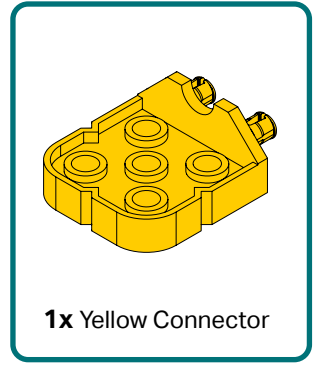
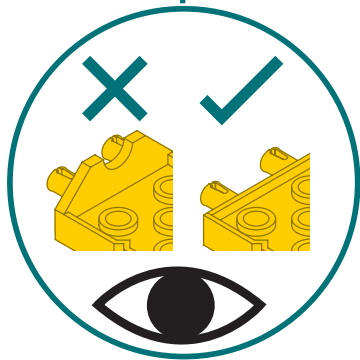
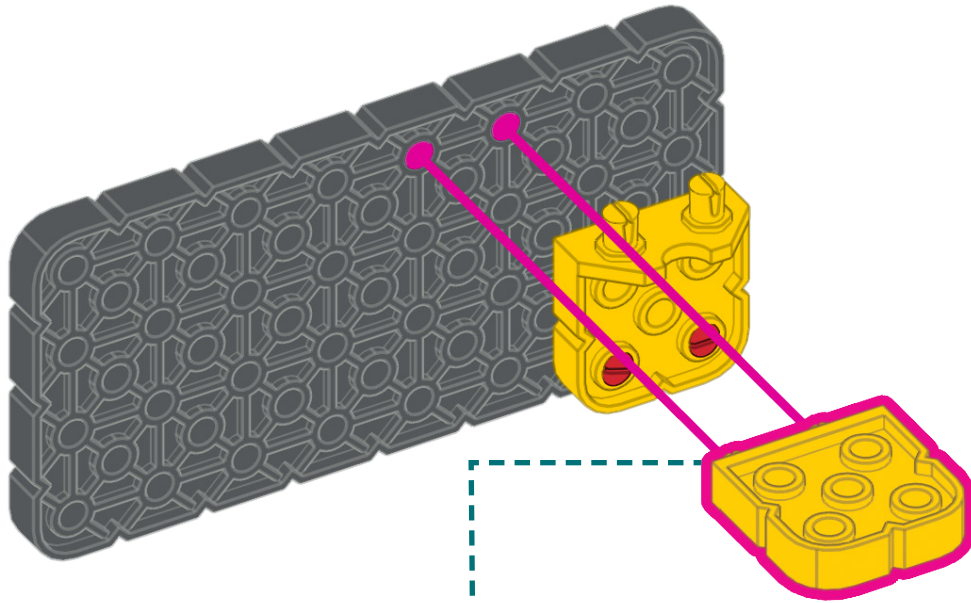
1



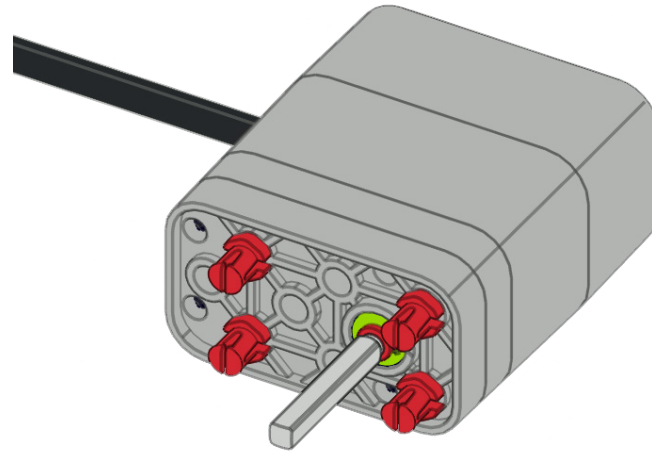
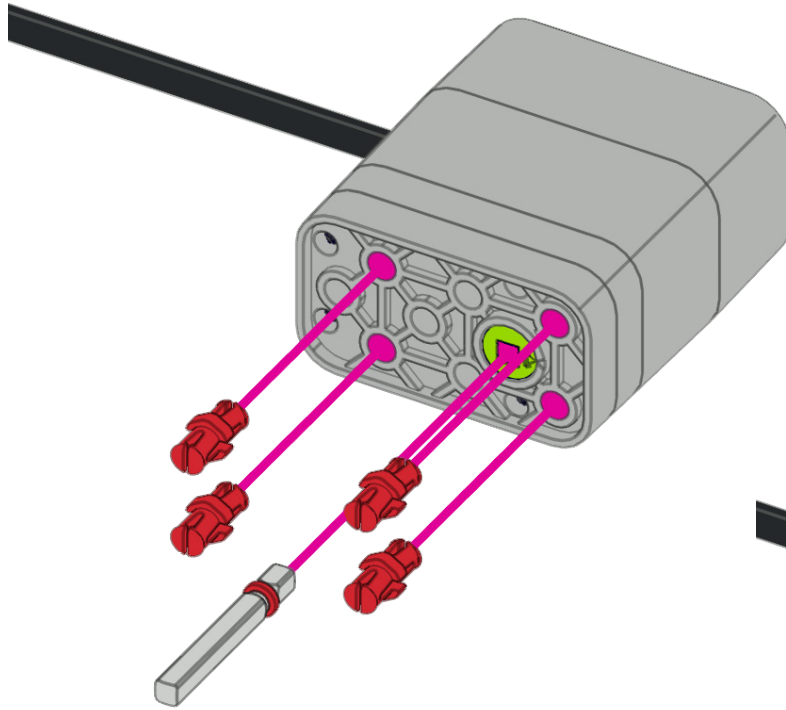
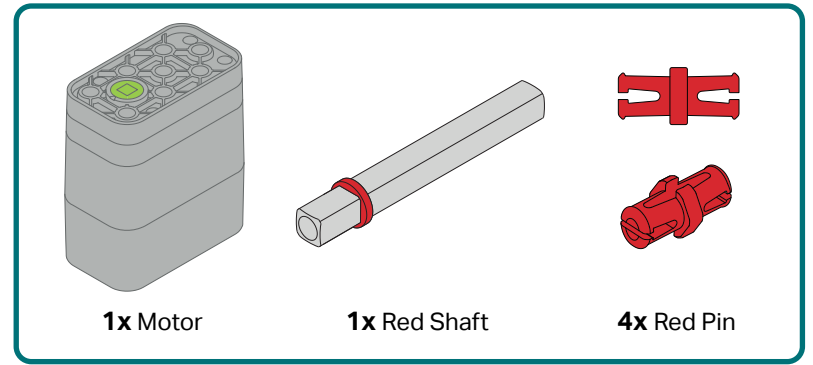
1x Yellow Connector 2x Red Pin 1x Dark Gray Large Plate

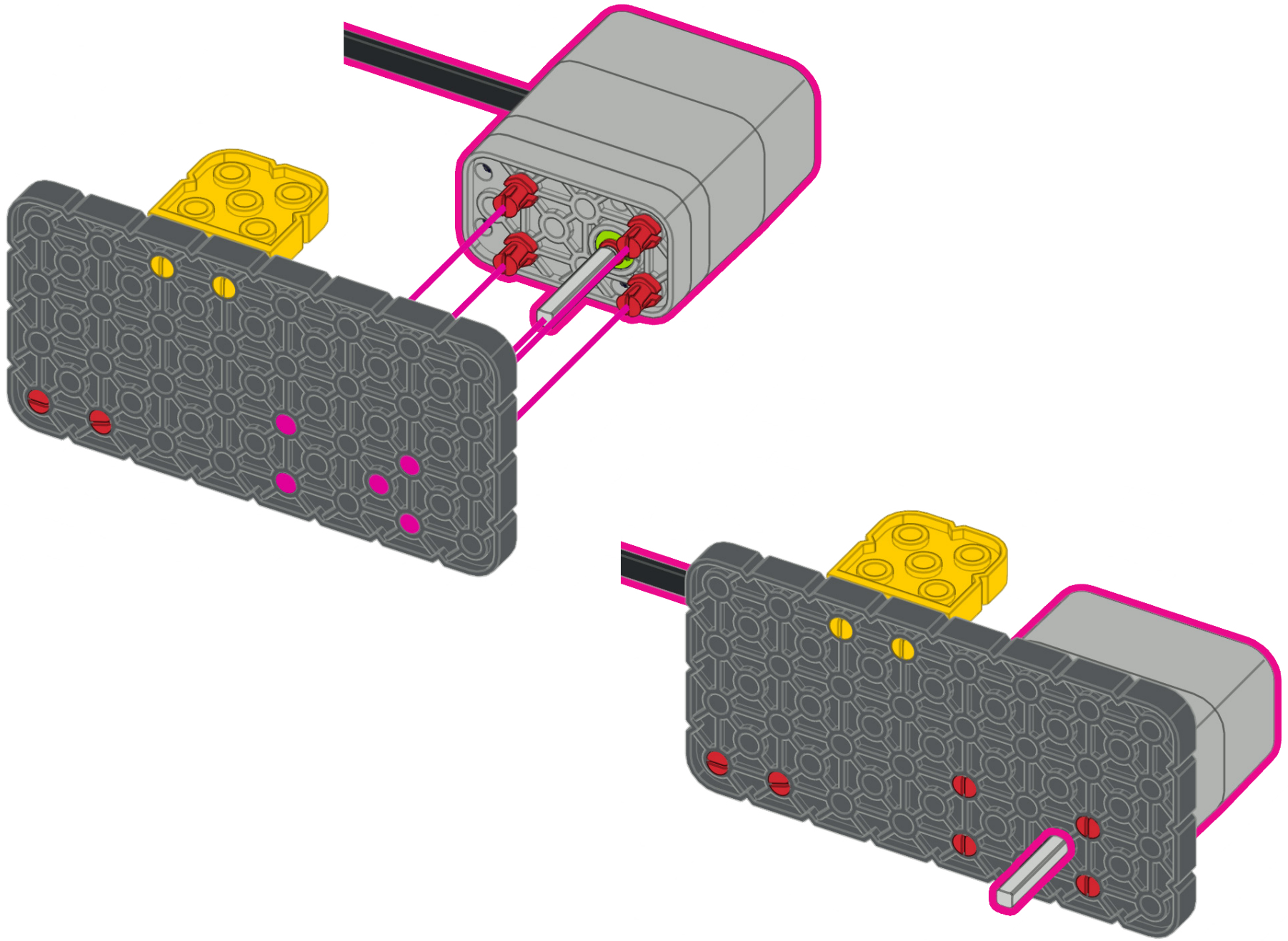
This block contains a parts list for step 1. It features three items: a yellow connector, two red pins, and a dark gray large plate. The items are arranged in a row, with the yellow connector on the left, the two red pins in the middle, and the dark gray large plate on the right. Below each item is its name and quantity.



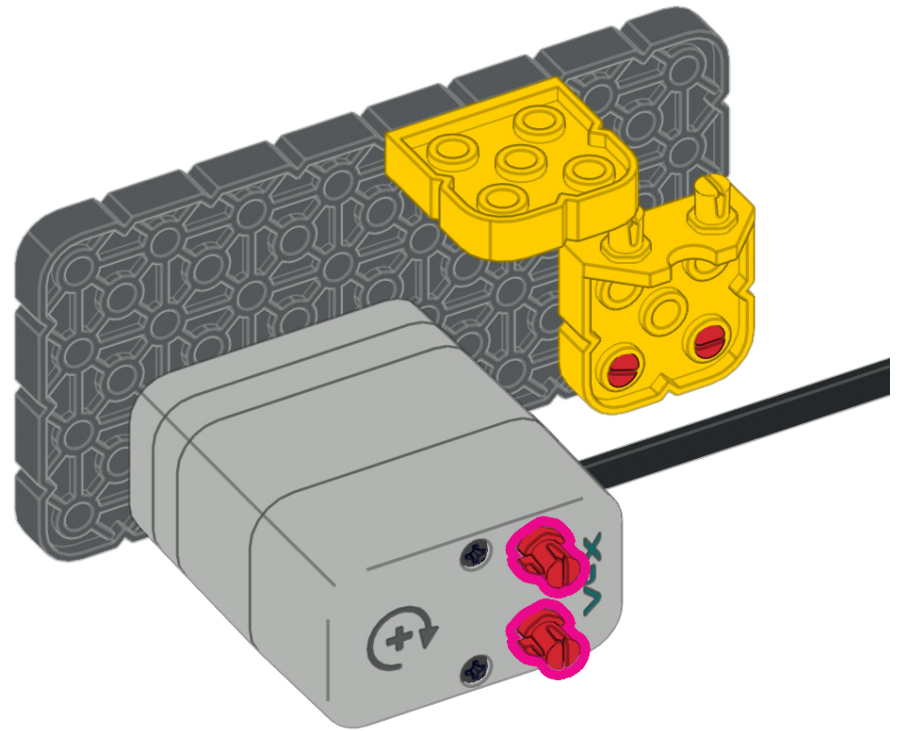
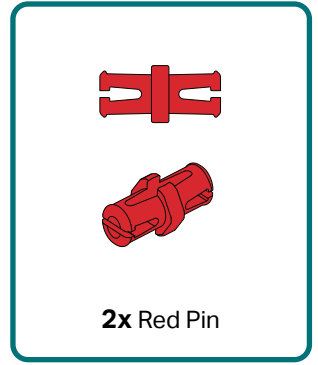
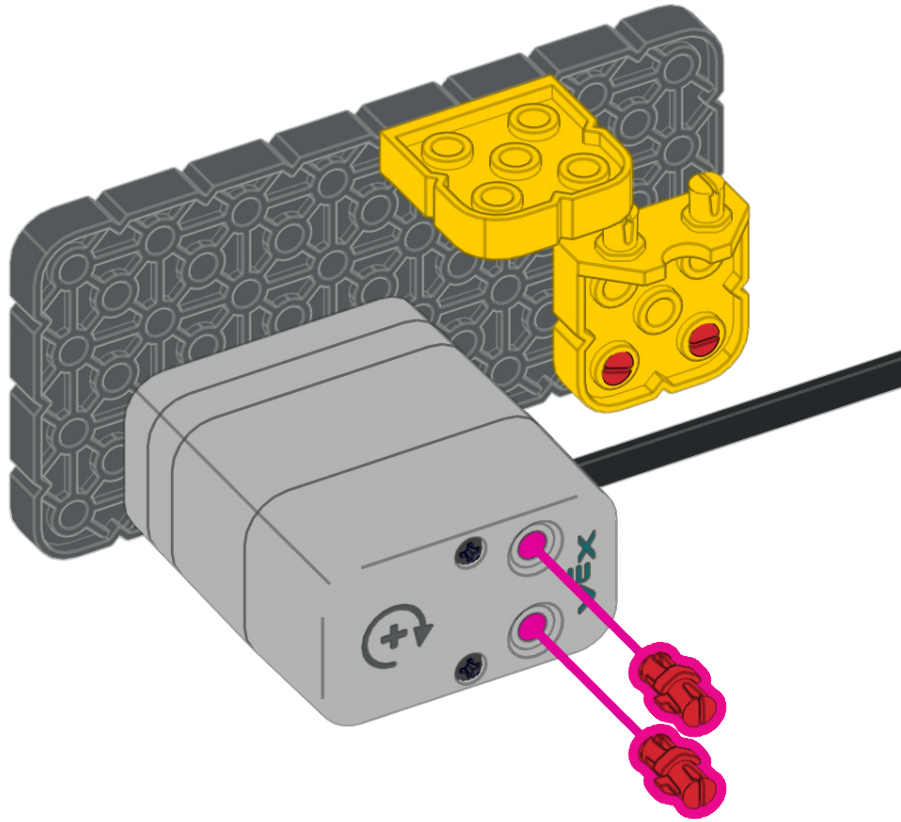


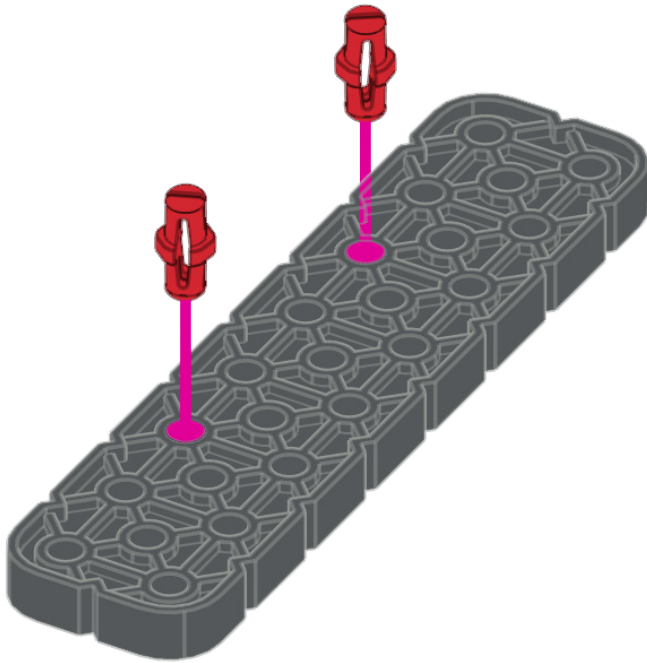
3





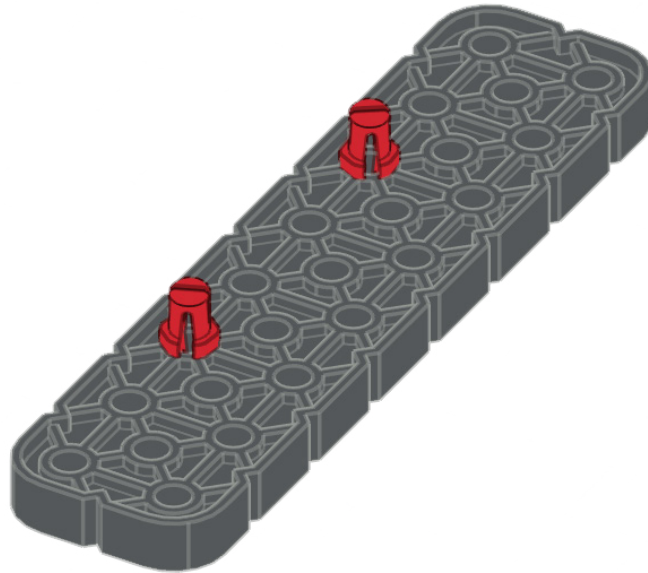
5

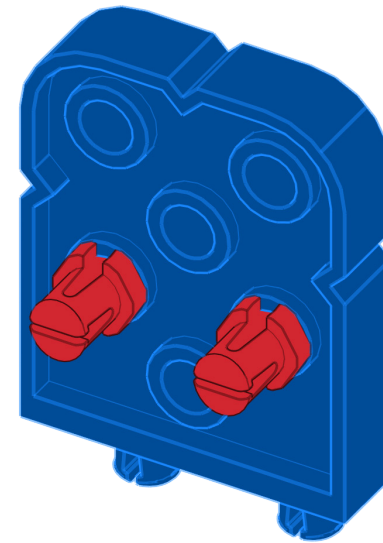
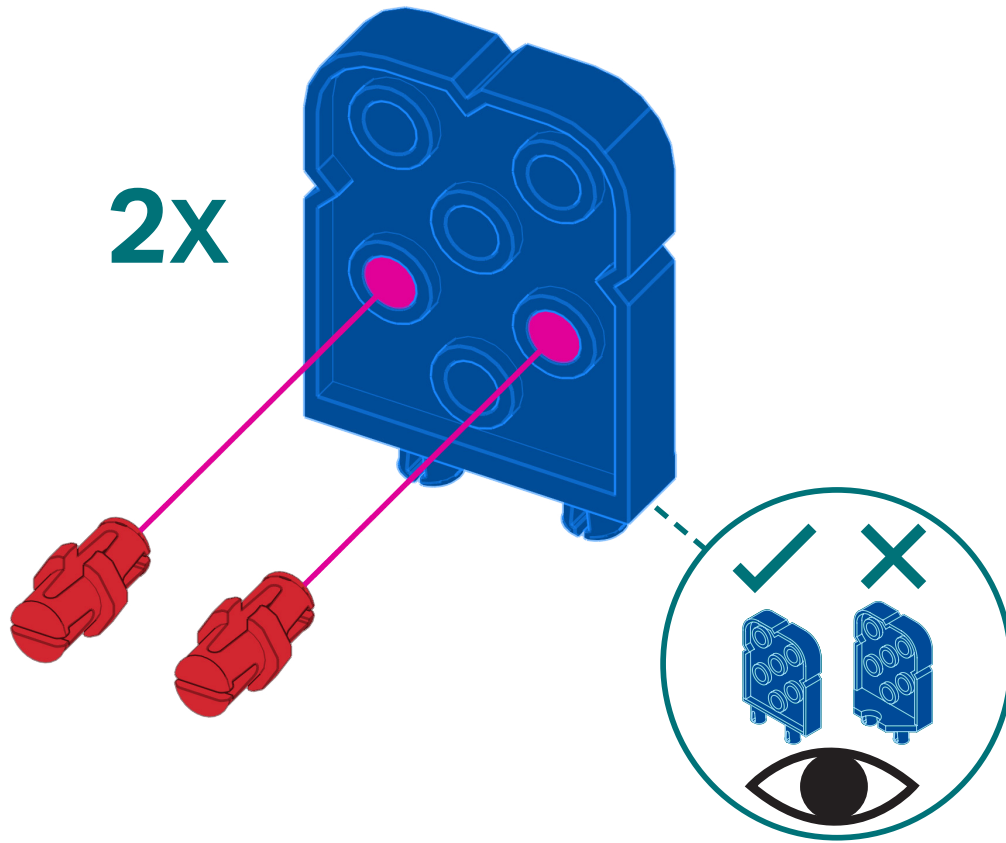
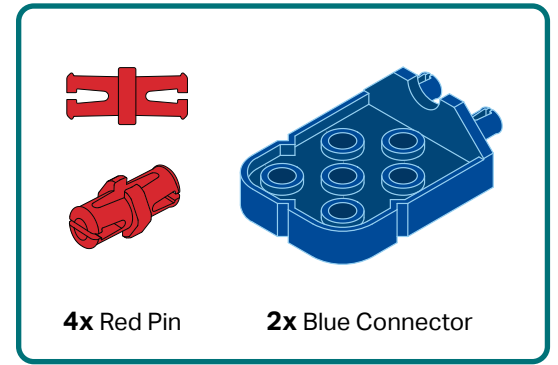


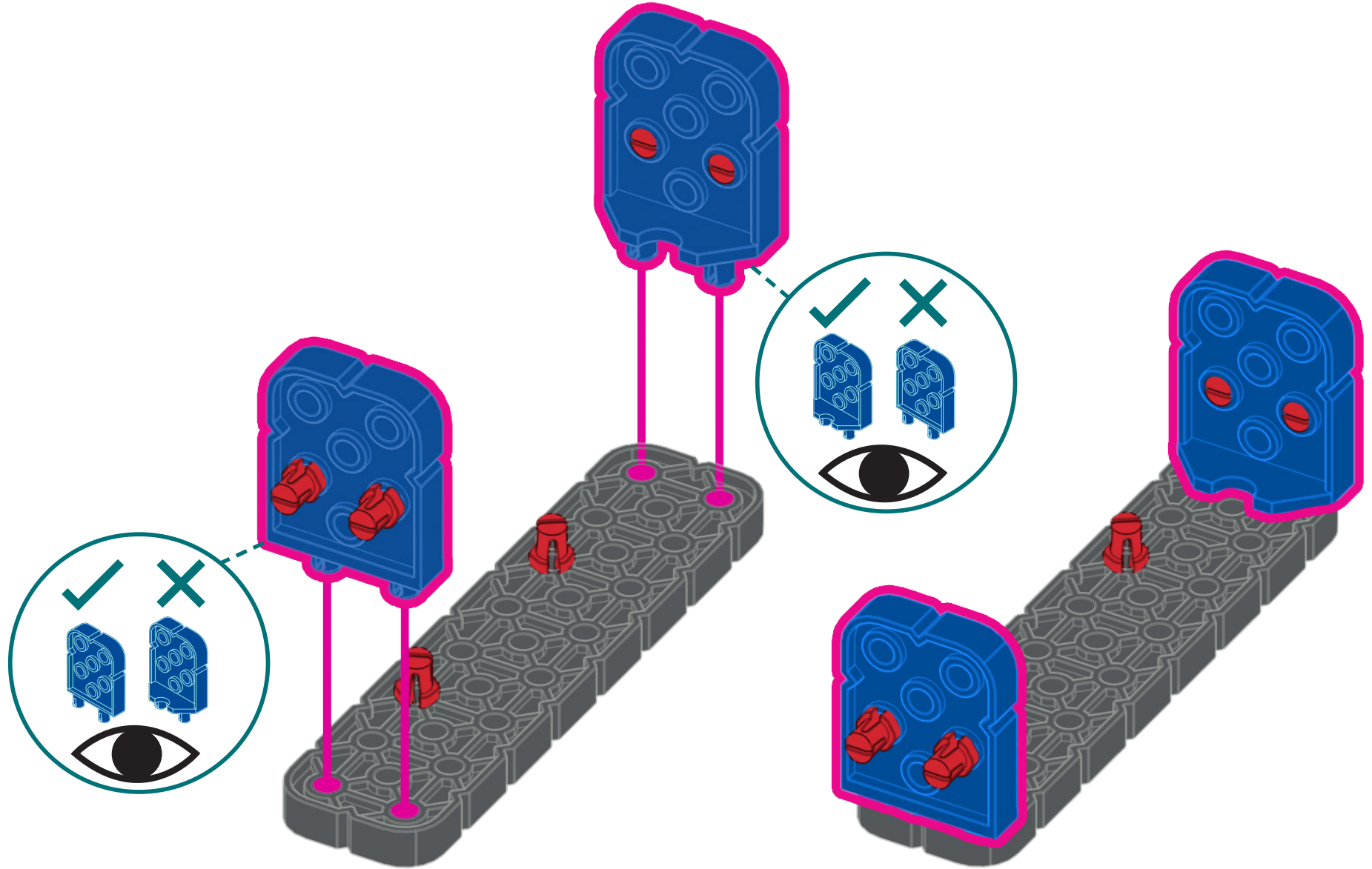


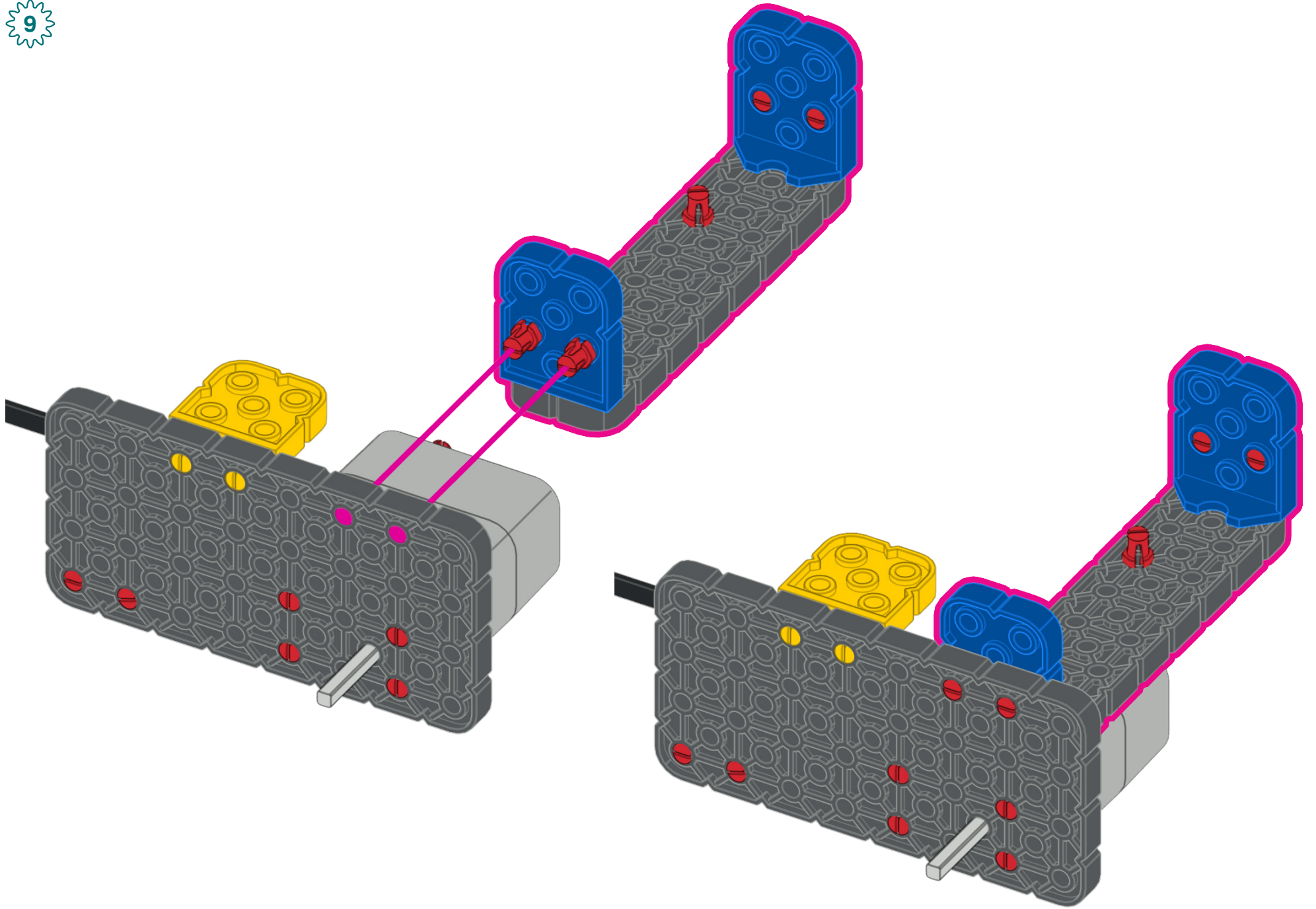
2x Red Pin

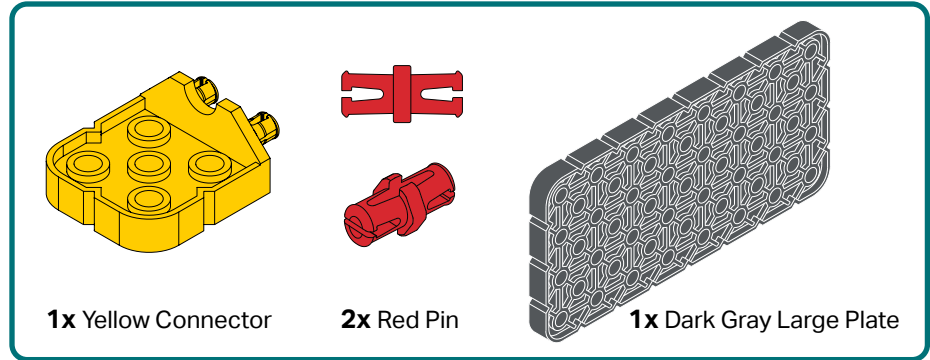
1x Dark Grey Large Beam

A legend box with a teal border containing two red pins and one dark grey large beam. The pins are shown from different angles: one from the side and one from the top. The beam is shown from a perspective view.



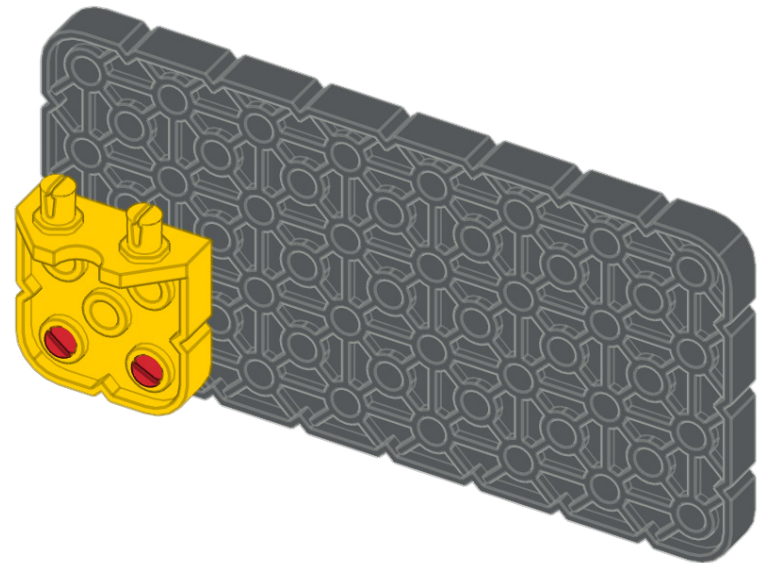
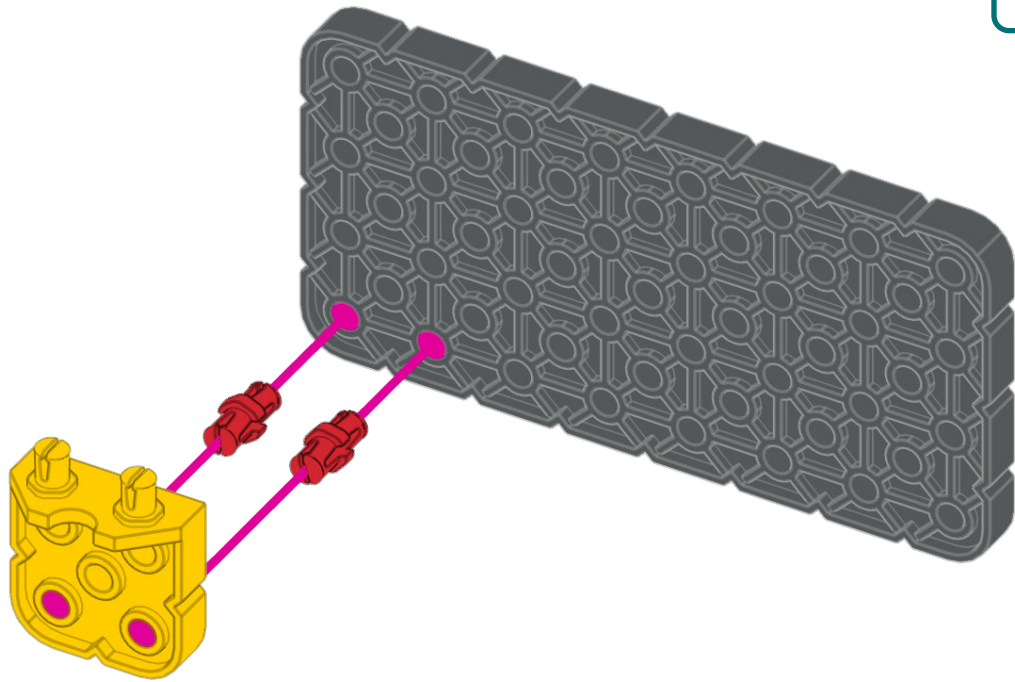


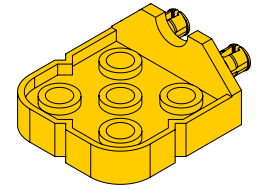
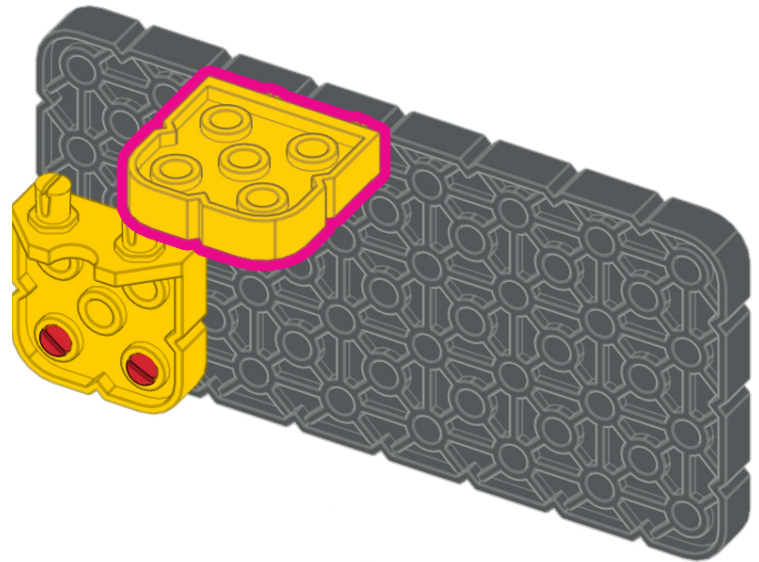
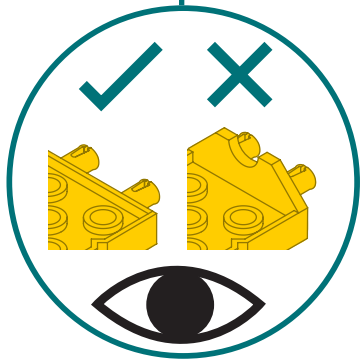
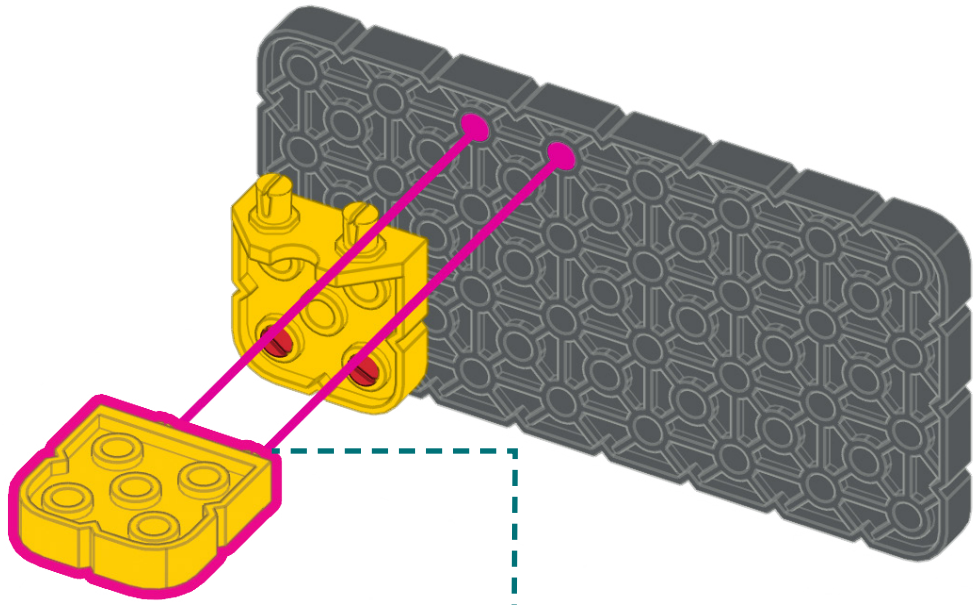




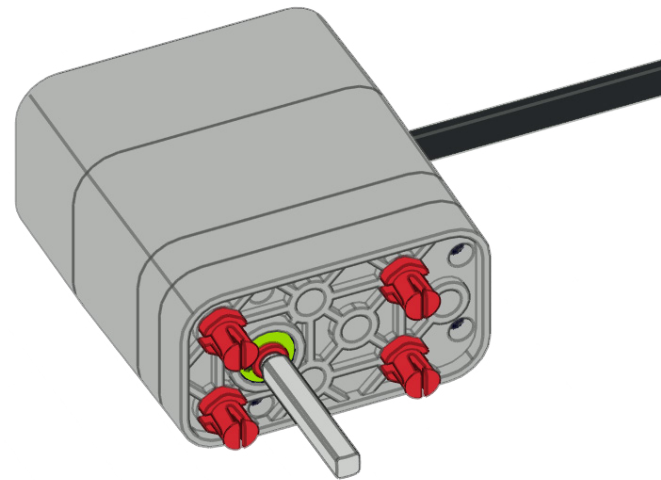
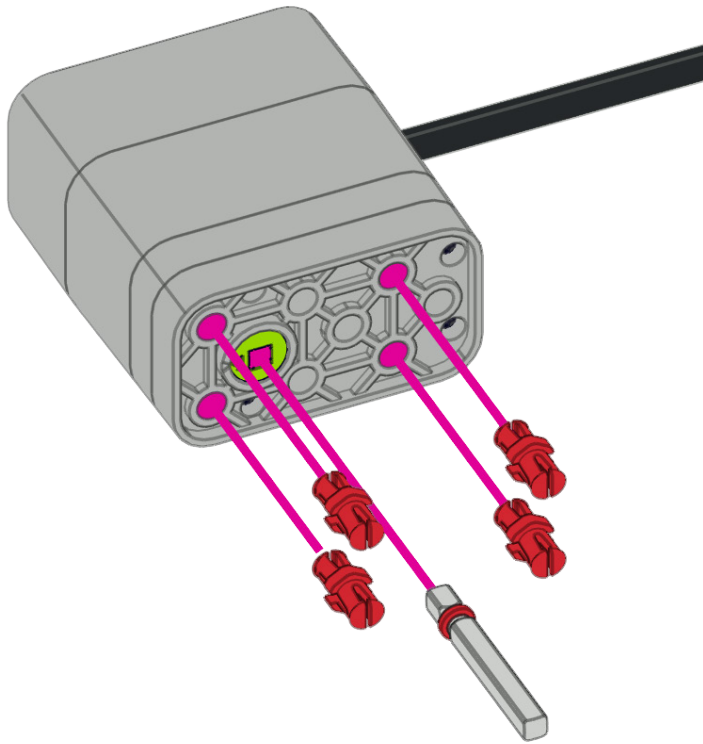
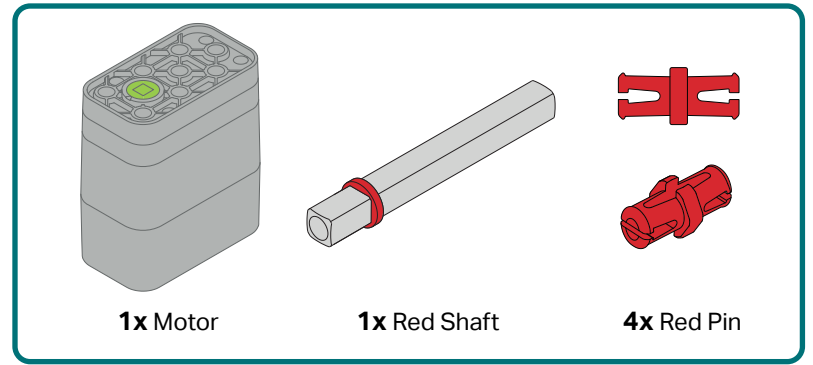
1x Yellow Connector 2x Red Pin 1x Dark Gray Large Plate

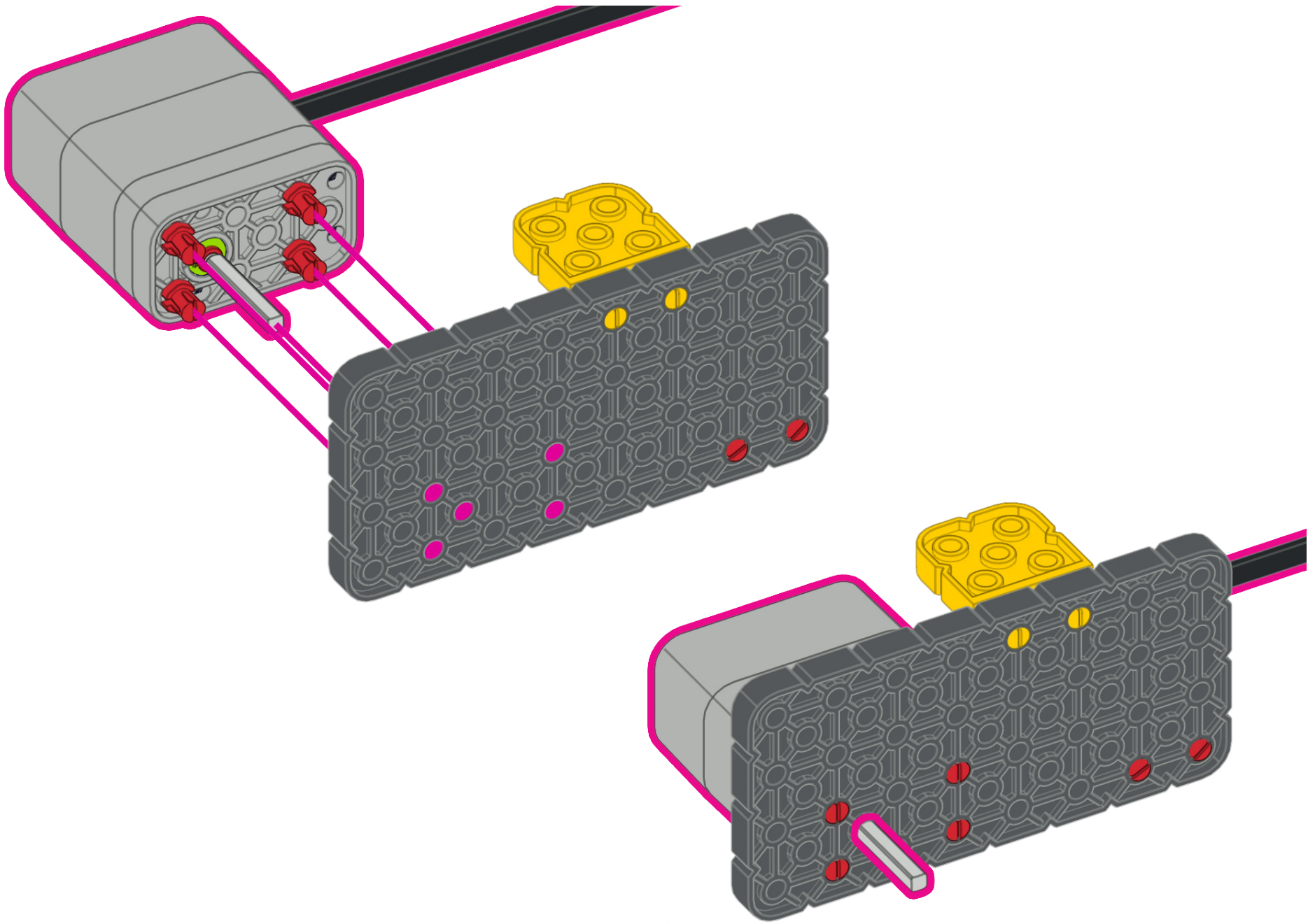
This block contains three images of the parts required for step 10: a yellow connector, two red pins, and a dark gray large plate. Below each image is its respective quantity and name.

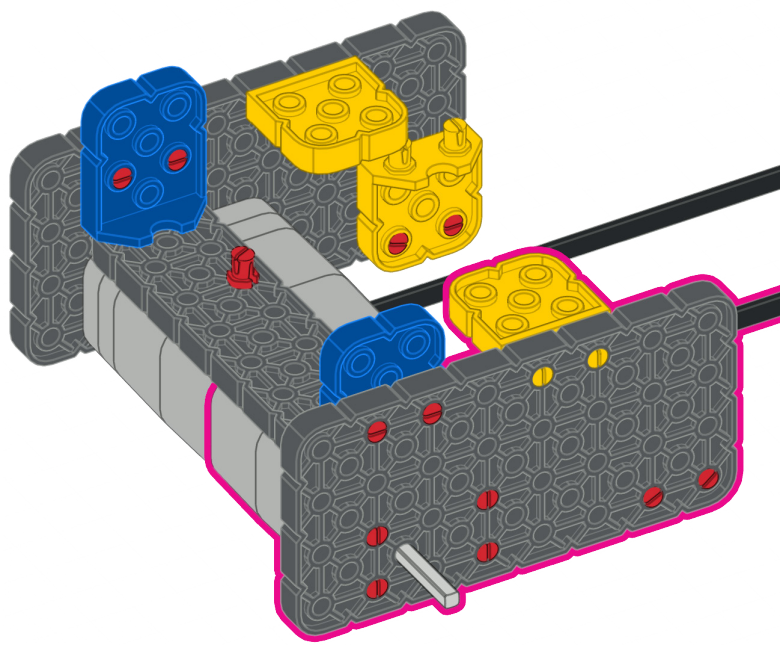
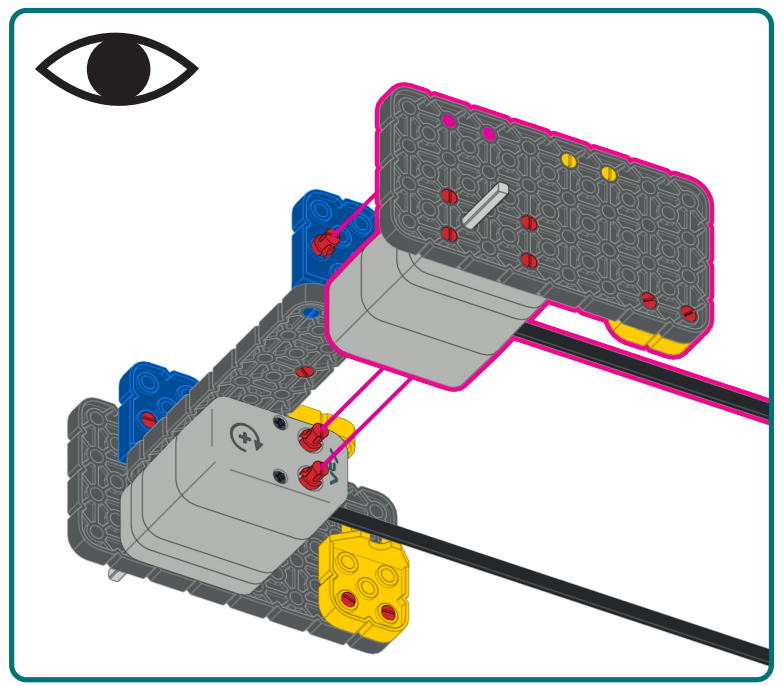
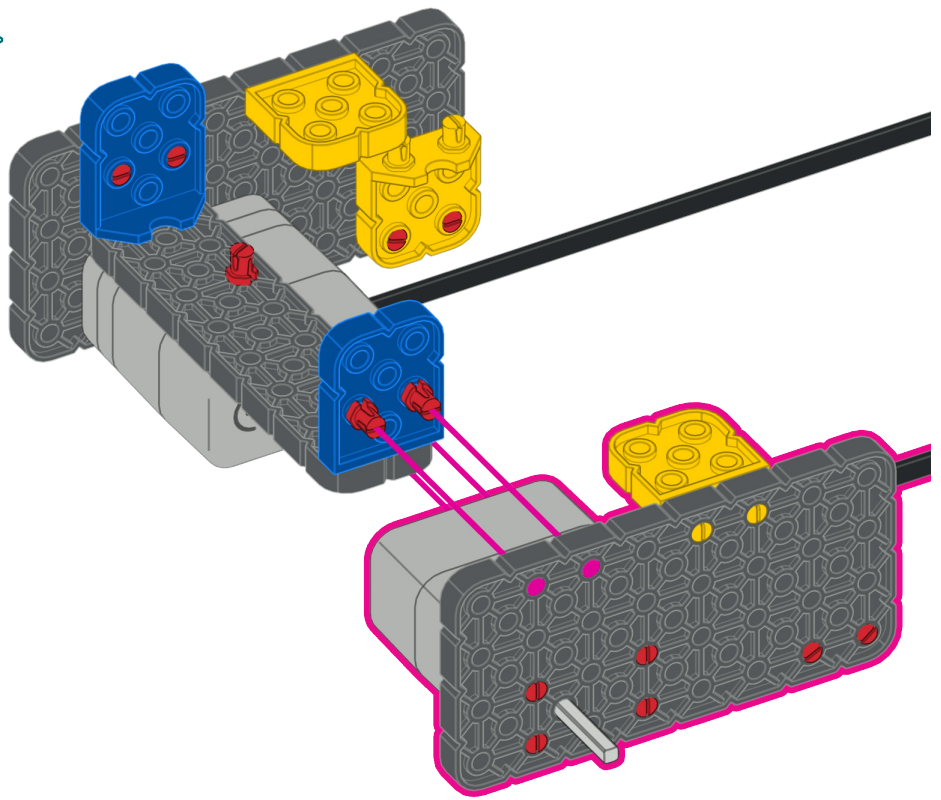


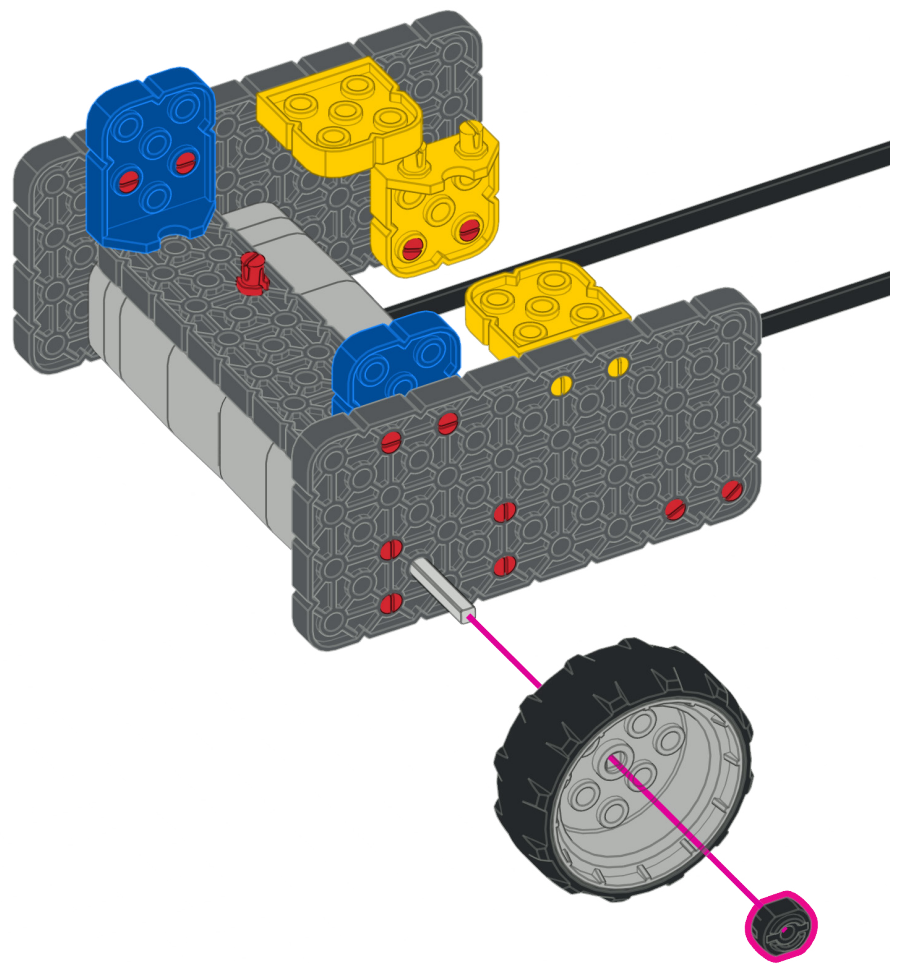


1x Yellow Connector

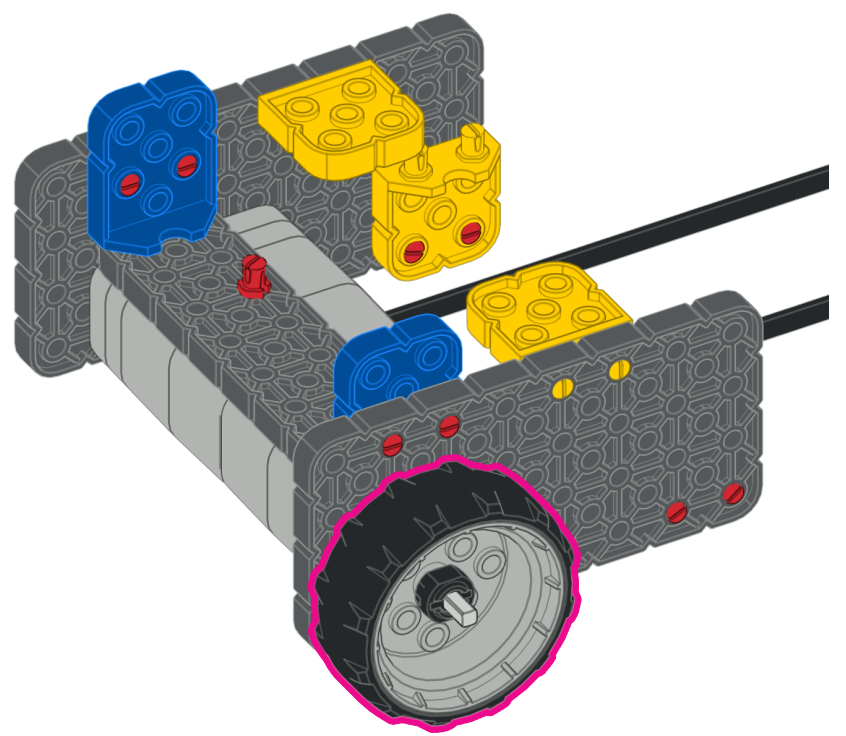


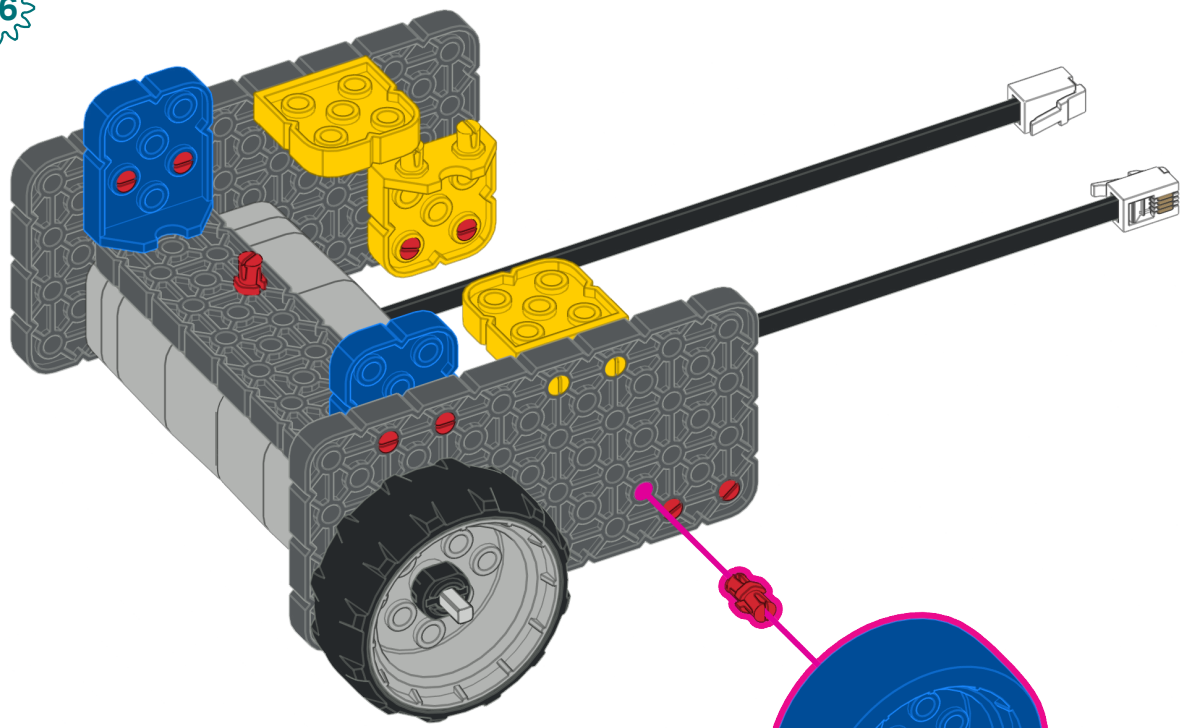






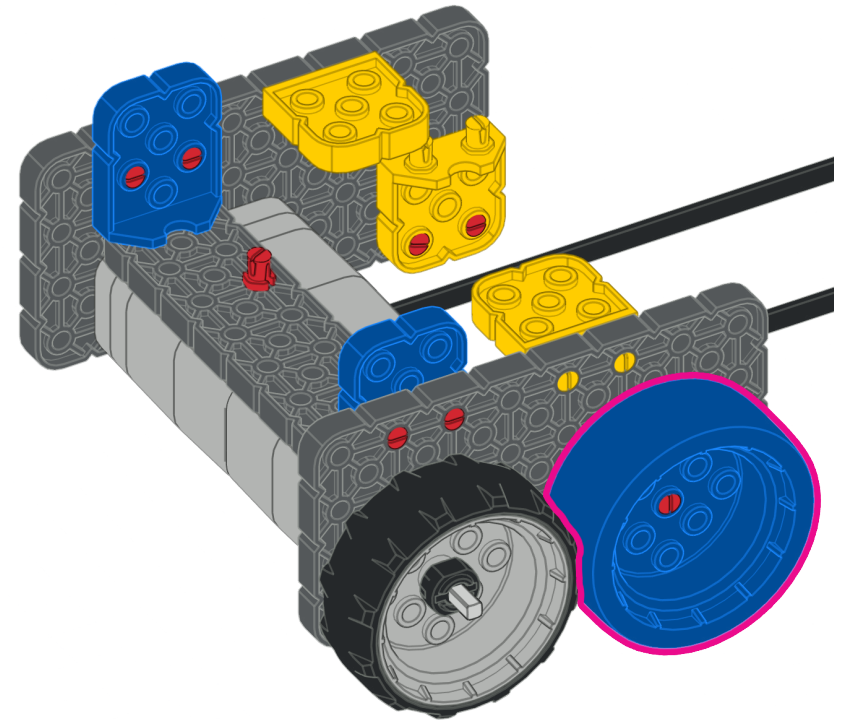
1x Shaft Collar 1x Gray Wheel



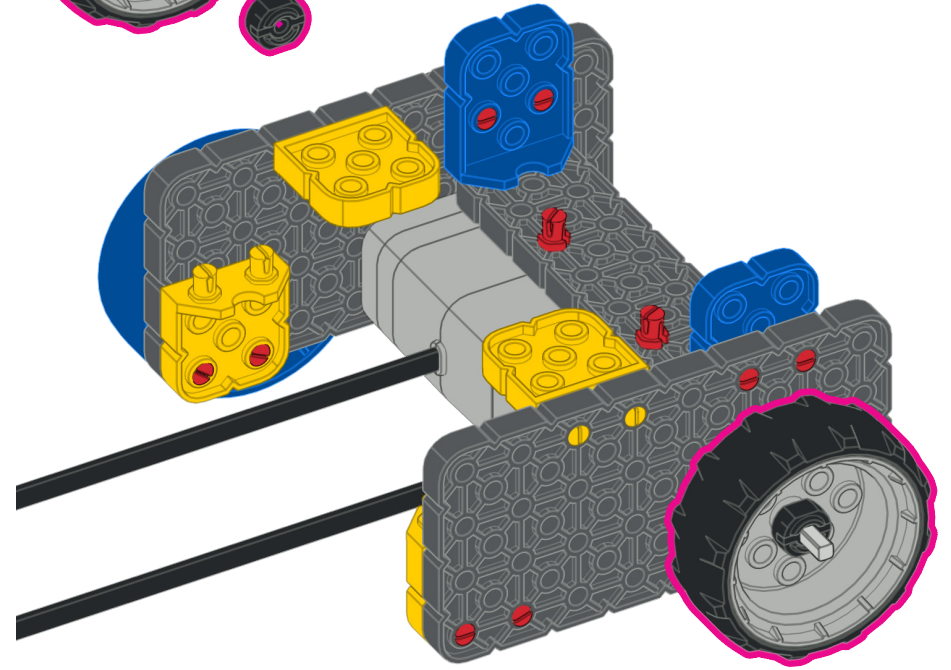
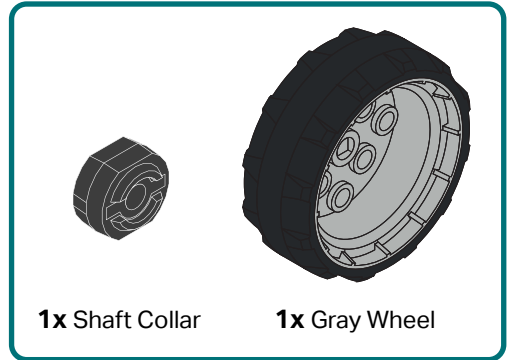
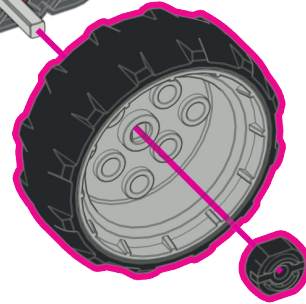
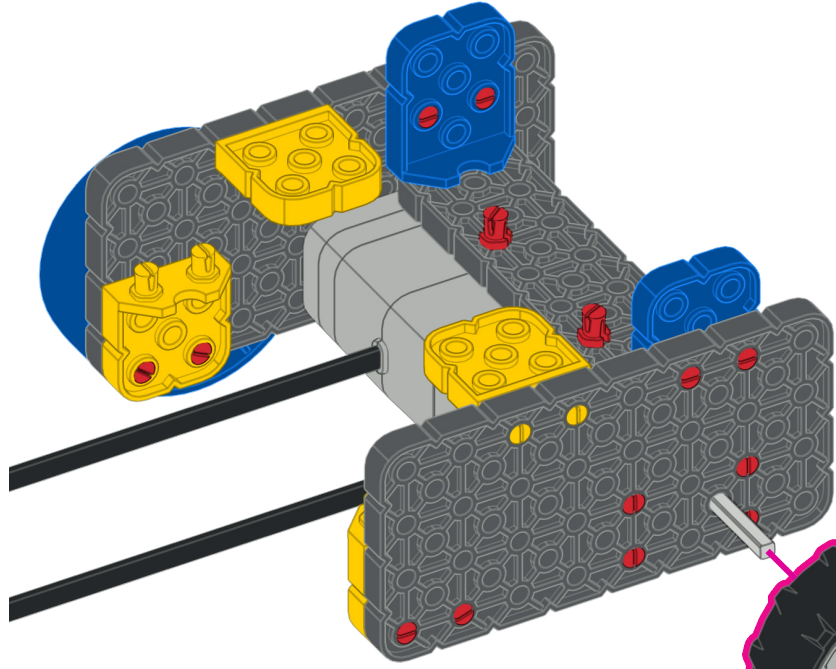
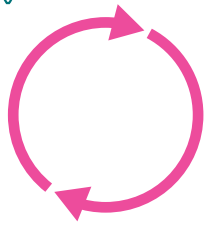


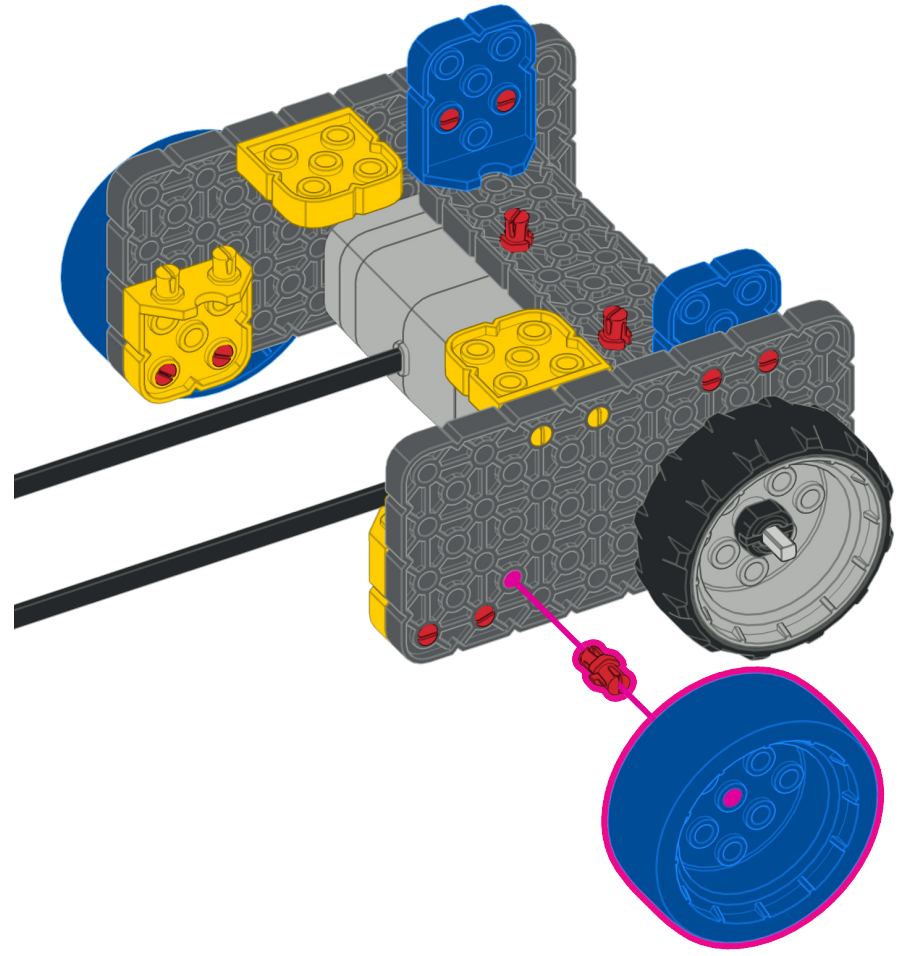
1x Red Pin

1x Blue Wheel



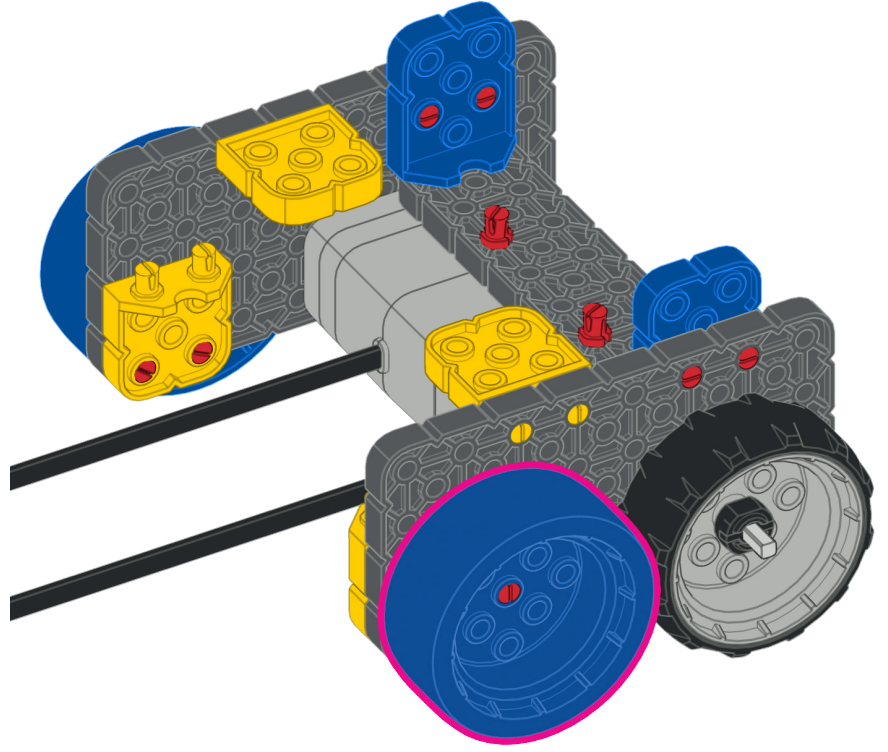
17

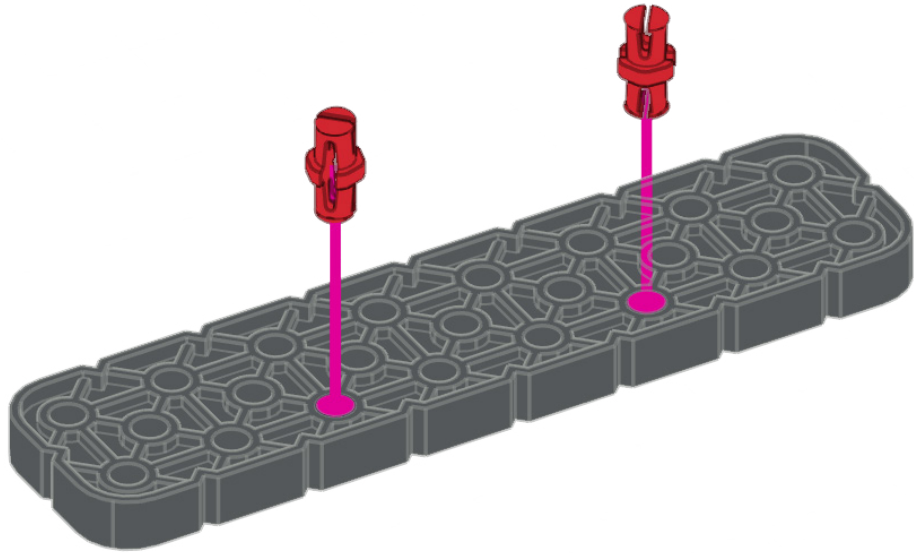




1x Red Pin

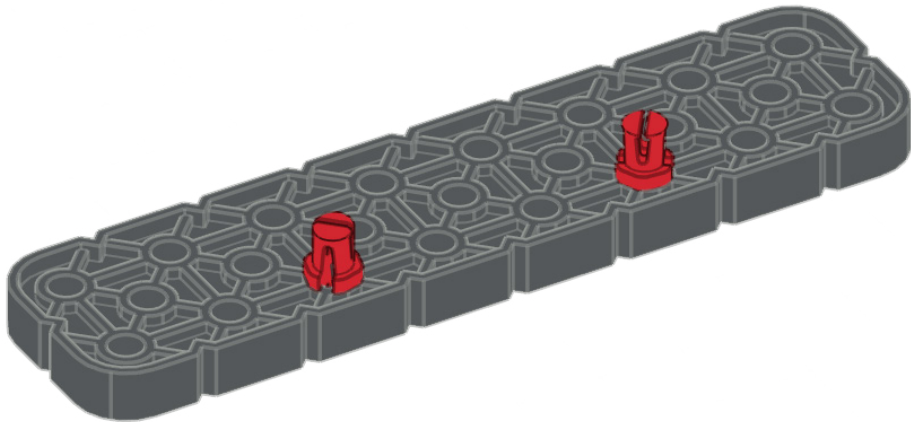
1x Blue Wheel

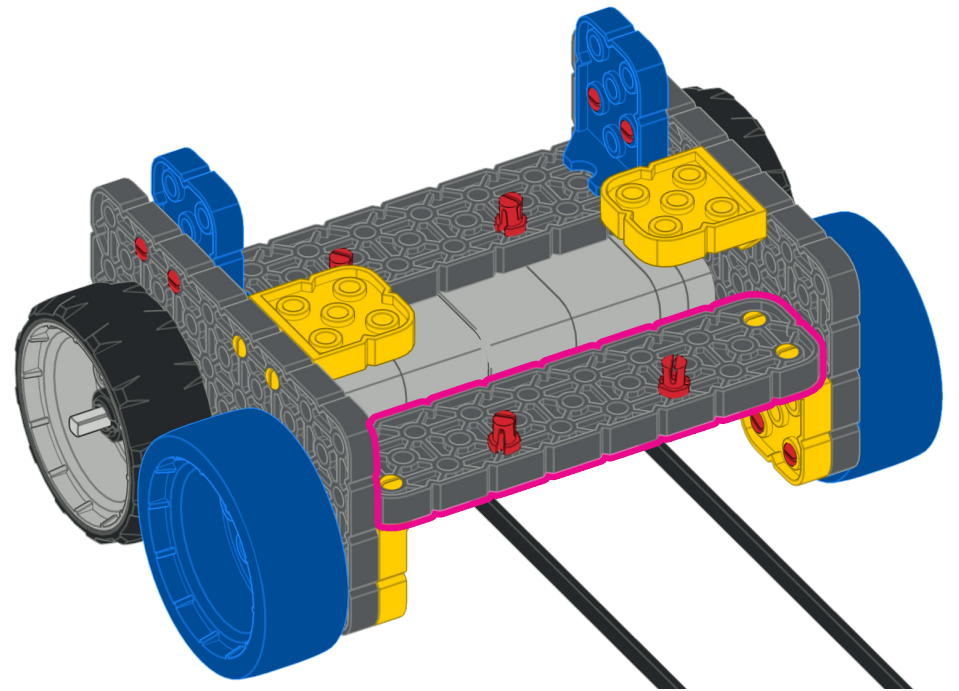
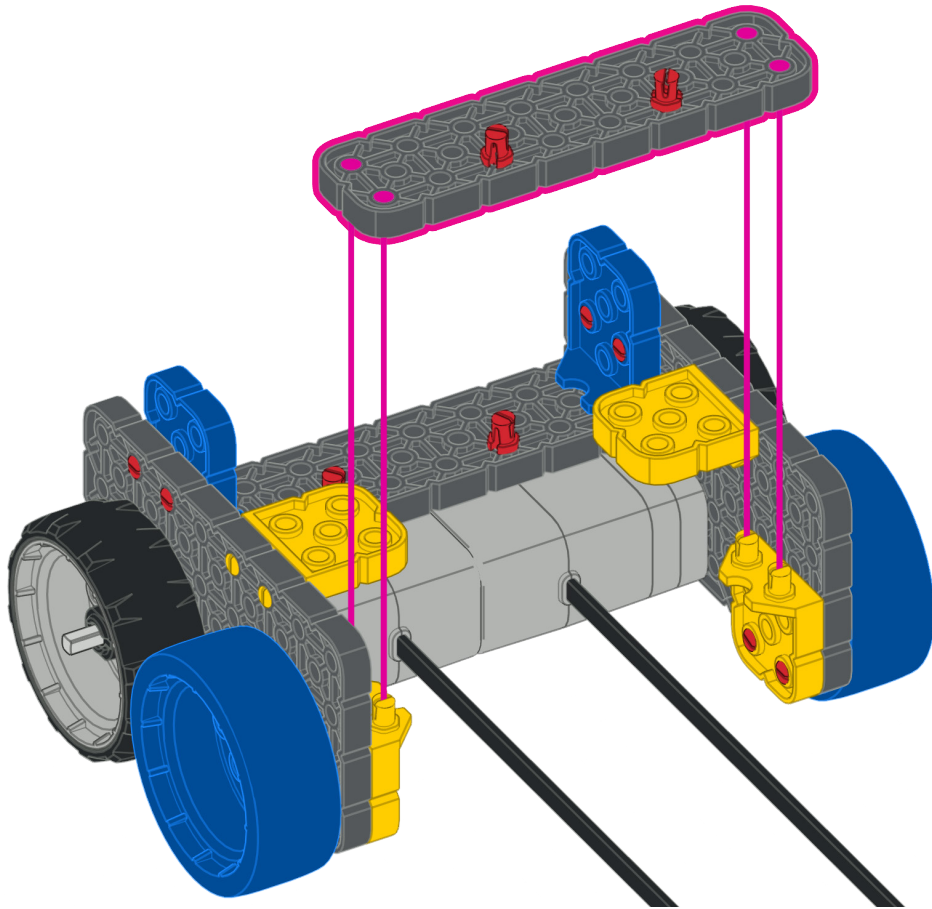


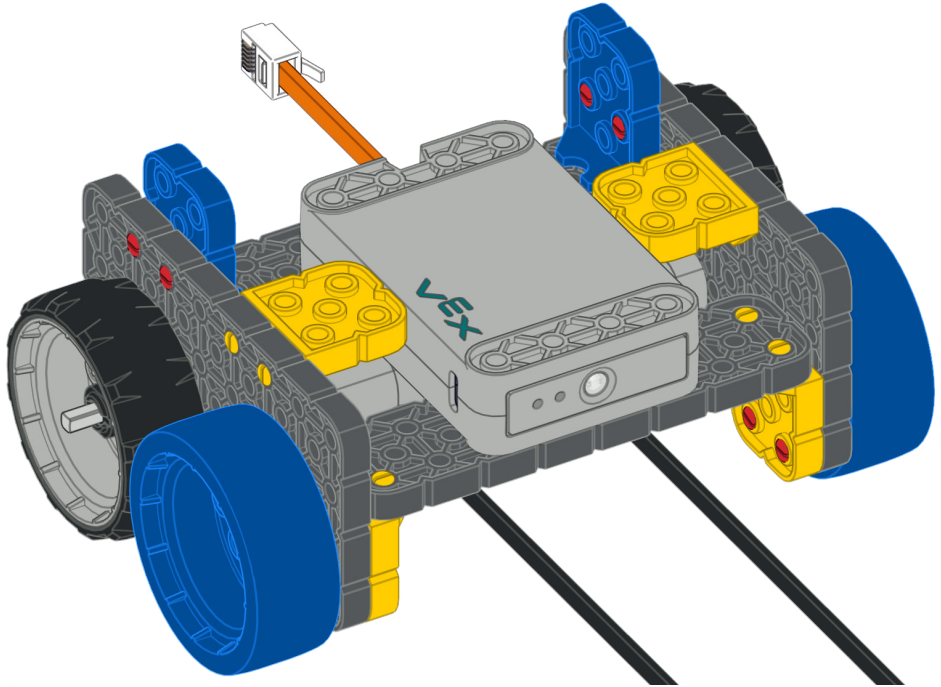
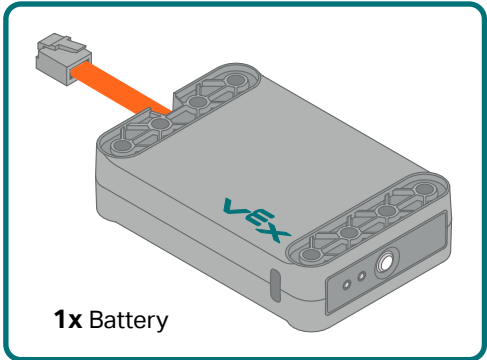
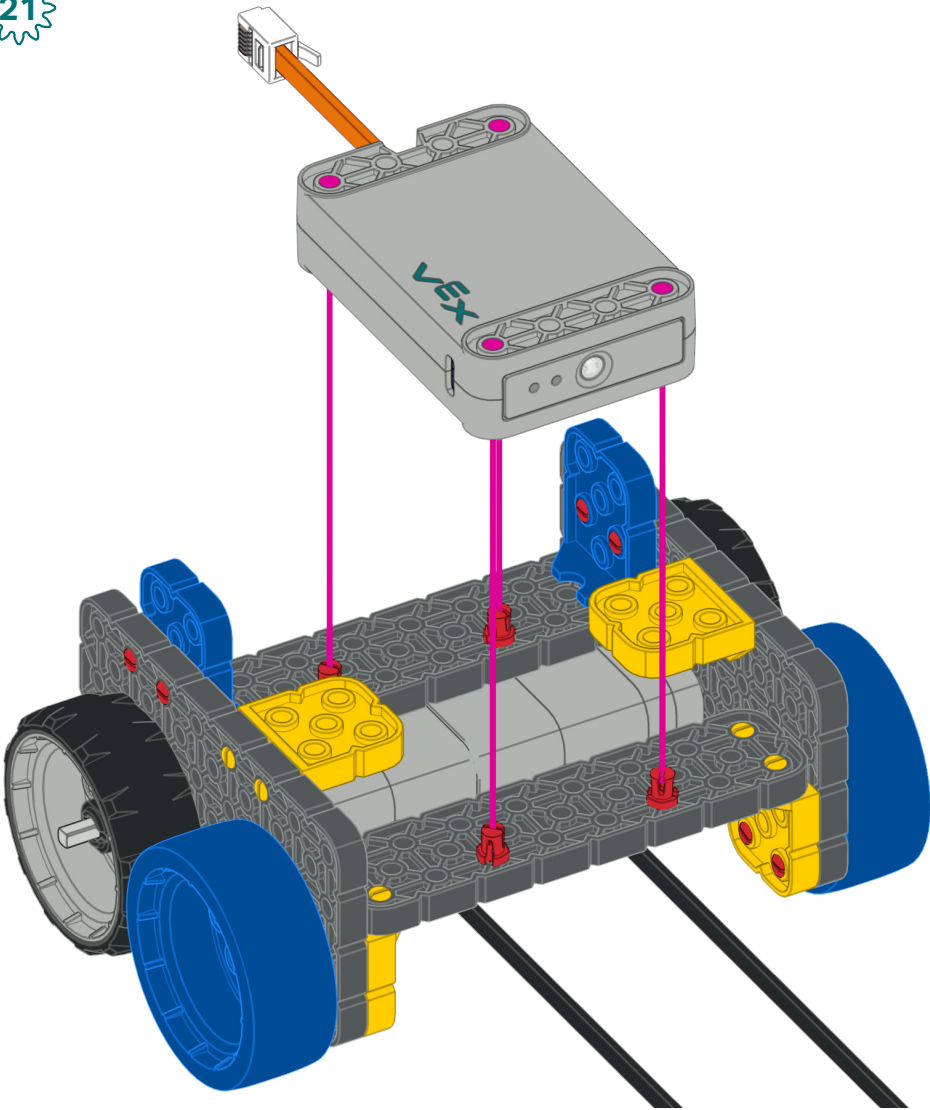


2x Red Pin

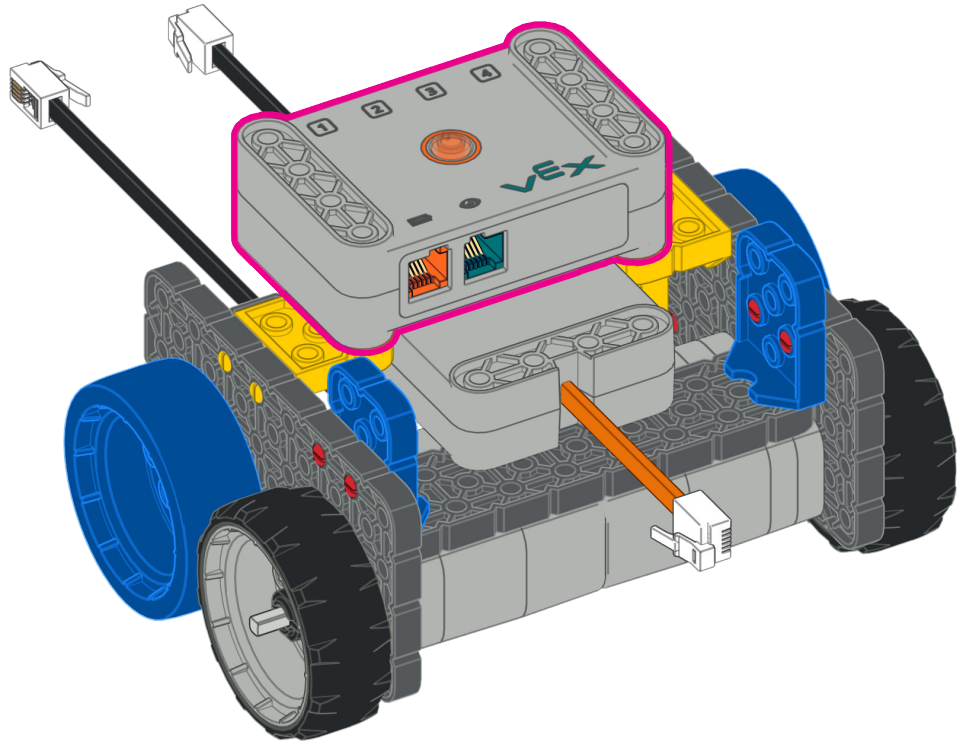
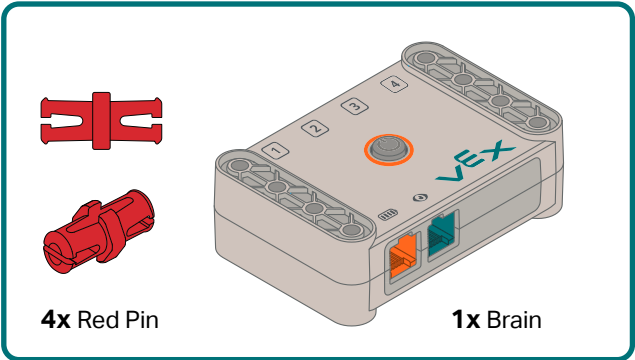
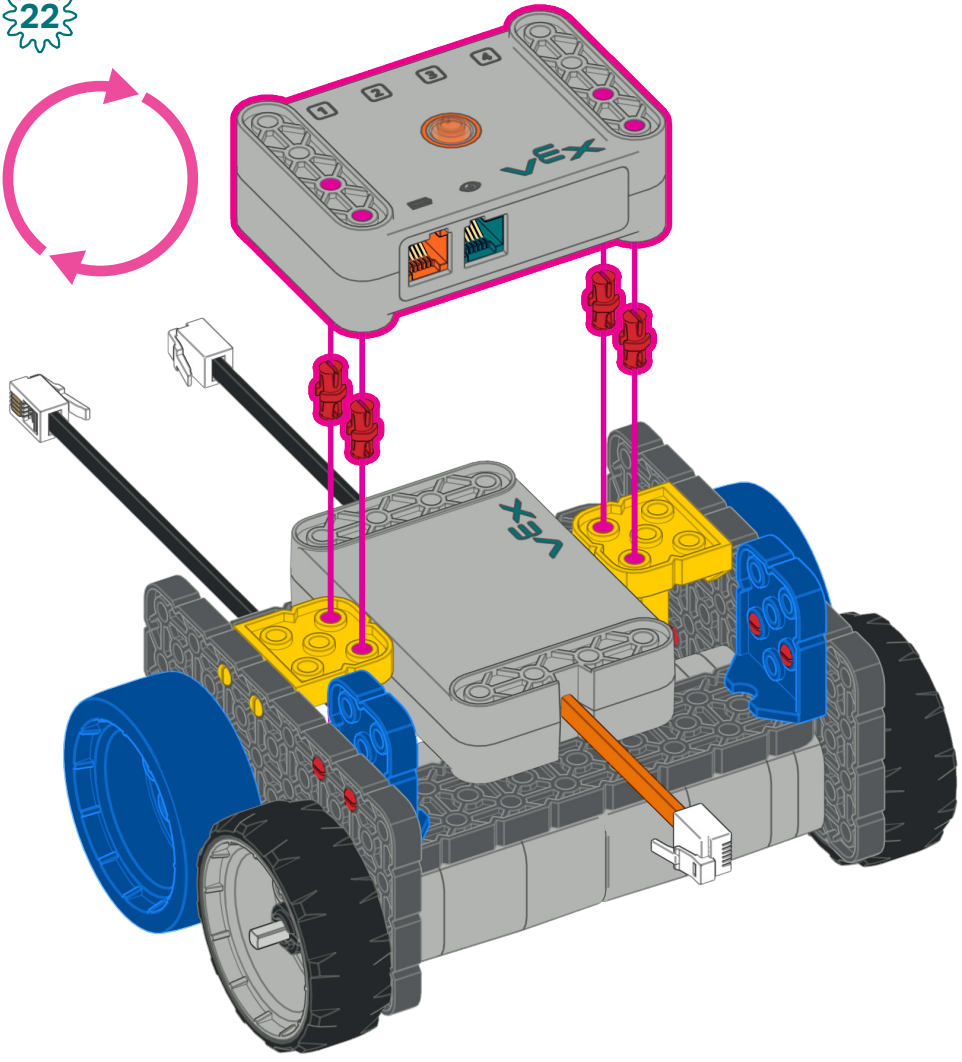
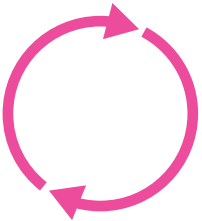
1x Dark Gray Large Beam

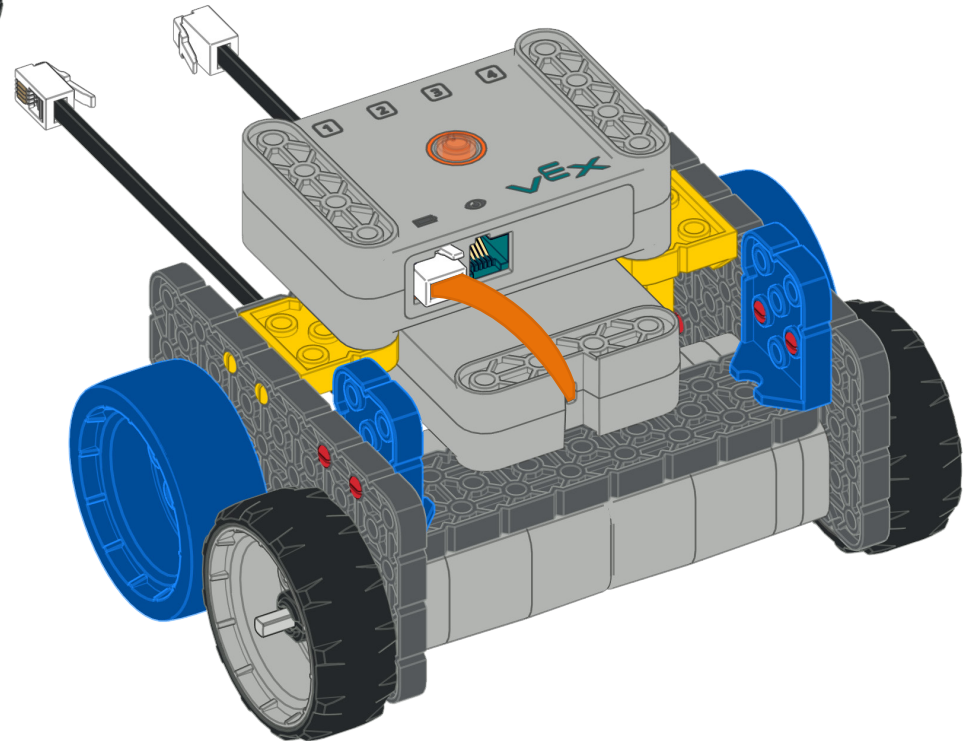
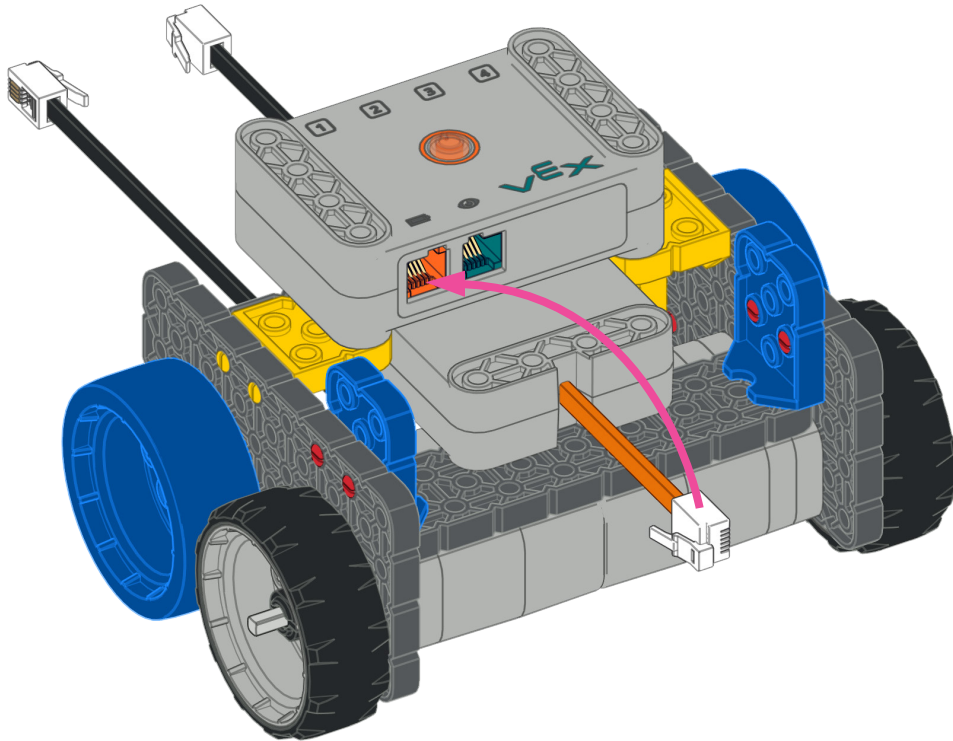
A legend box with a teal border. On the left, there are two red pins: one shown from the top and one shown from the side. On the right, there is a dark gray large beam shown from a perspective view. Below the pins is the text "2x Red Pin" and below the beam is the text "1x Dark Gray Large Beam".



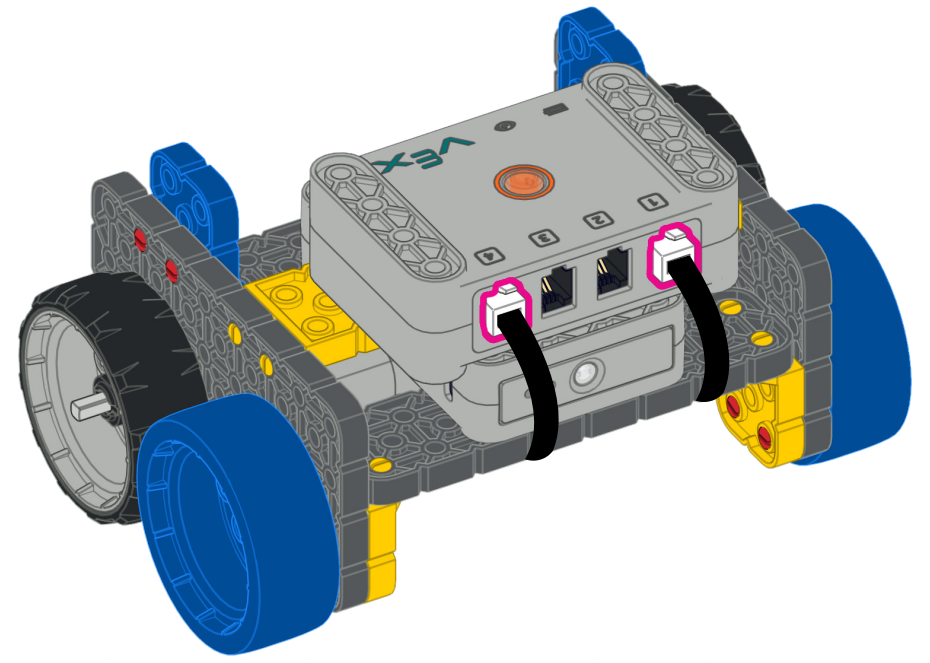
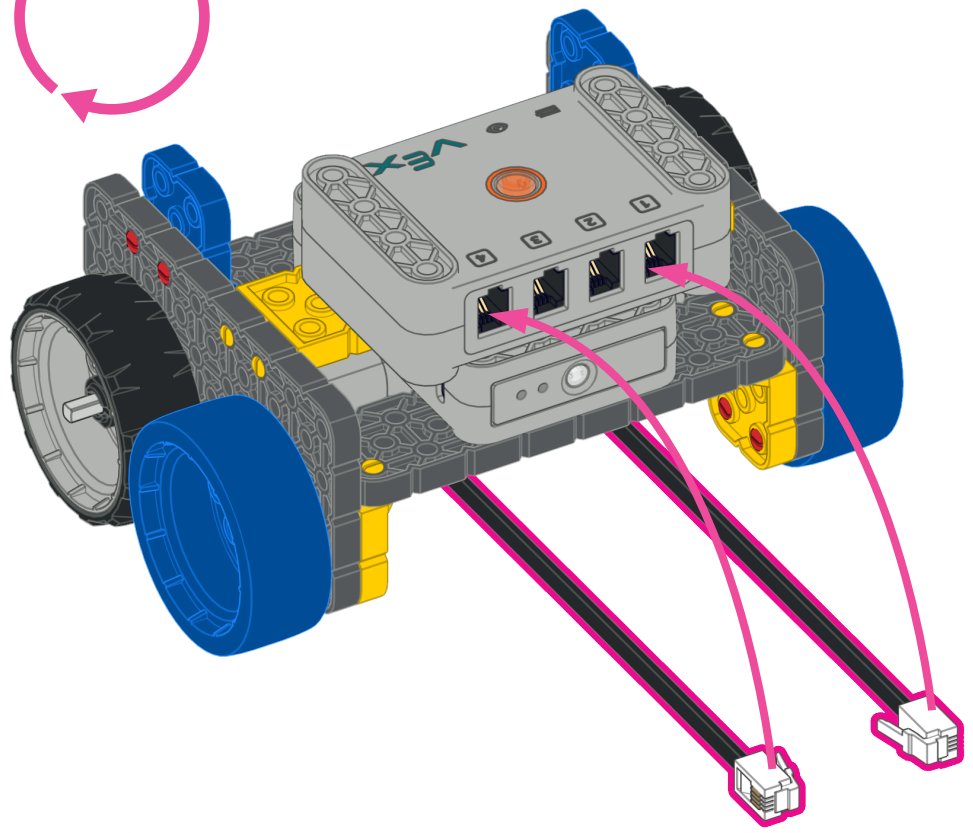
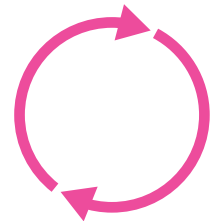


22





24



Code Base Build Instructions

269-6913-100 Rev6



Custom manufactured in China for Innovation First Trading SARL. Distributed in the U.S.A, Mexico, Caribbean, Central & South America by VEX Robotics, Inc., 6725 W. FM 1570, Greenville, TX 75402, U.S.A. Distributed in China by Innovation First International (Shenzhen) Ltd., Suite 1906, Excellence Tower, 98 Fuhua Yi Road, Futian, Shenzhen, Guangdong, China 518048. Distributed in other regions by Innovation First Trading SARL, Innovation First Trading SARL, Parc Logistique Eurohub Sud, 3434 – Dudelange, Luxembourg +352 27 86 04 87. Distributed in Canada by / Distribué au Canada par / Innovation First Trading, LLC, 6725 W. FM 1570, Greenville, TX 75402, U.S.A.