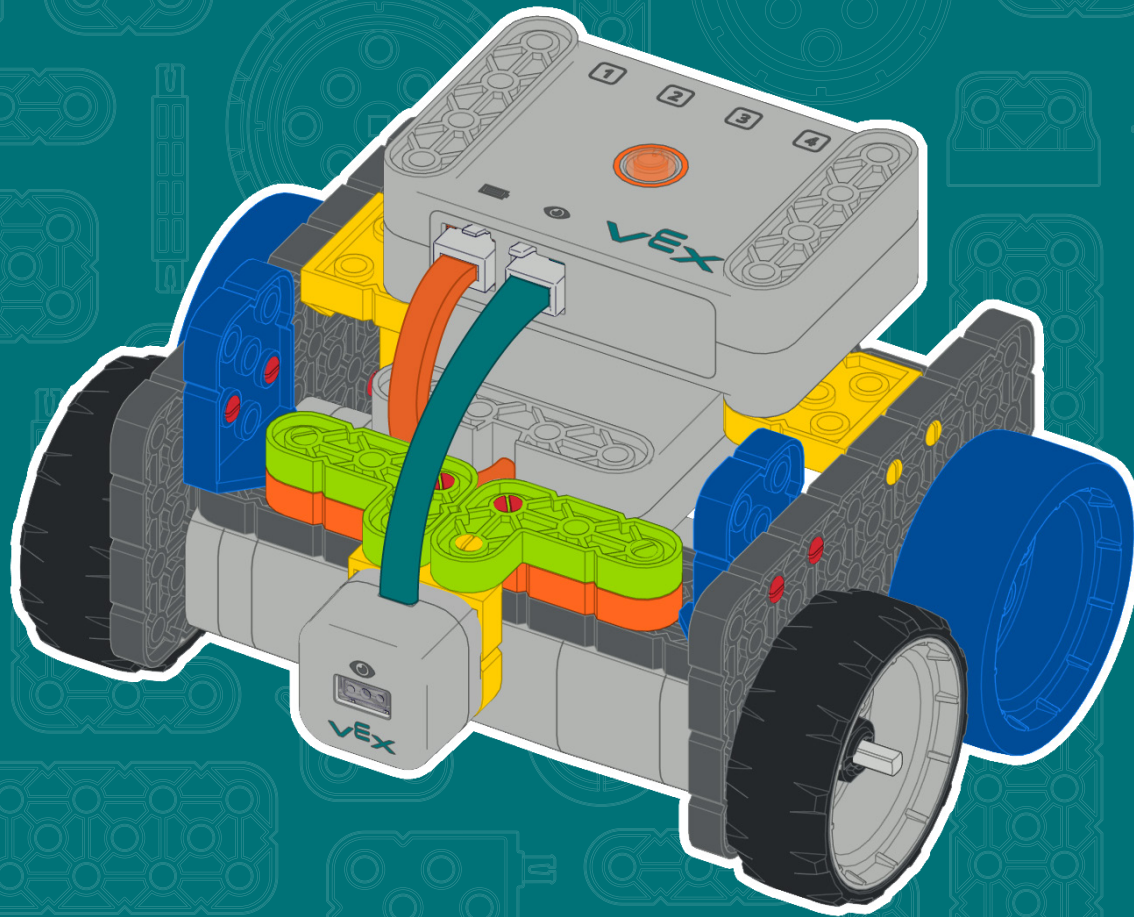
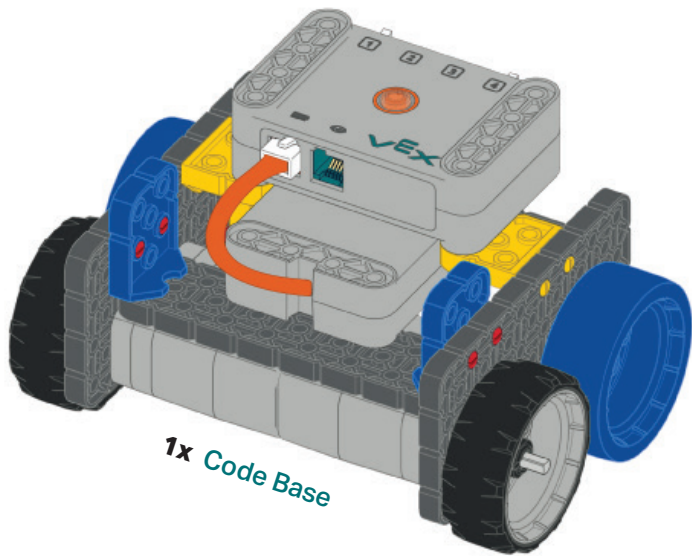


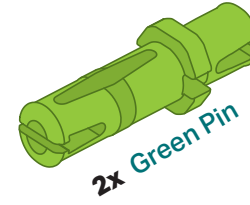
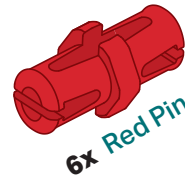
# VEX GO

Code Base - Eye Forward  
Build Instructions

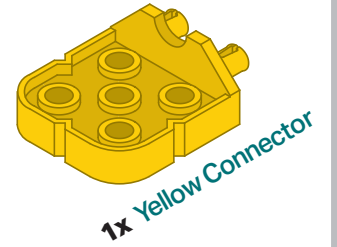




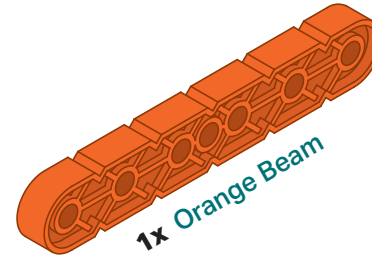
### Pins



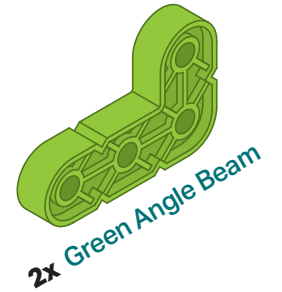
### Connectors



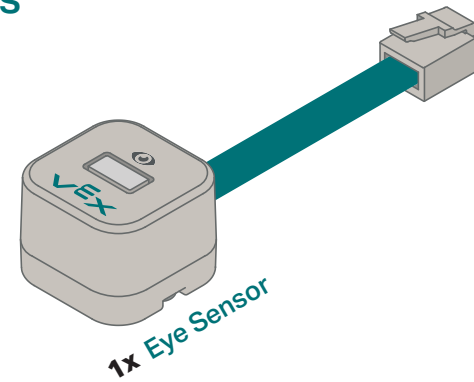
### Beams



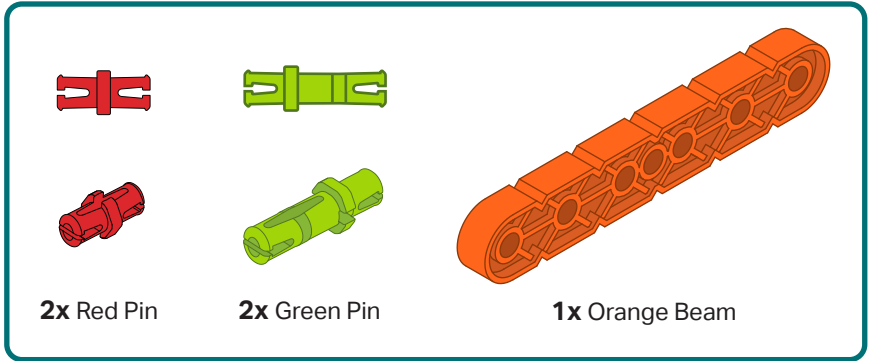
### Angle Beams



### Electronics

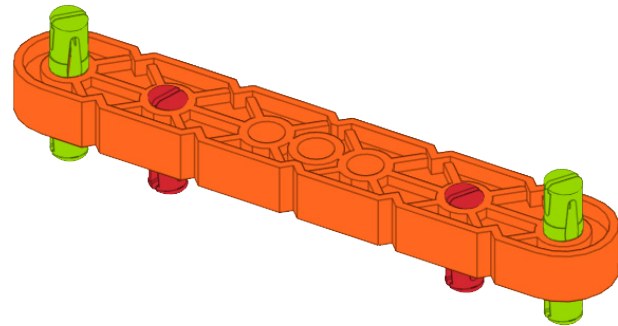
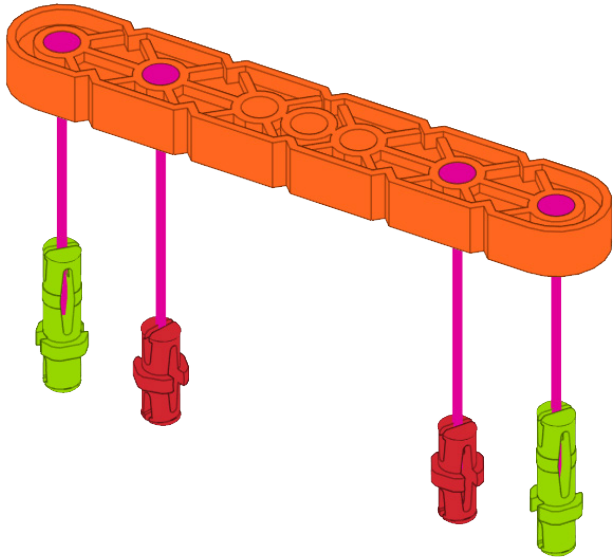


1

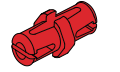
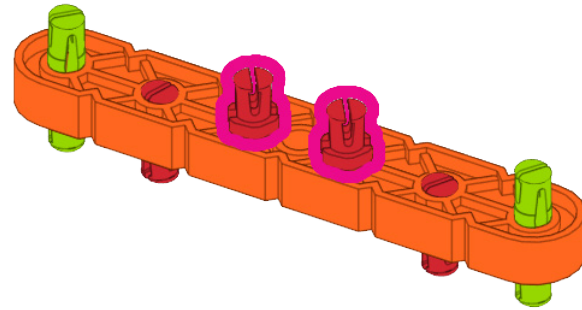
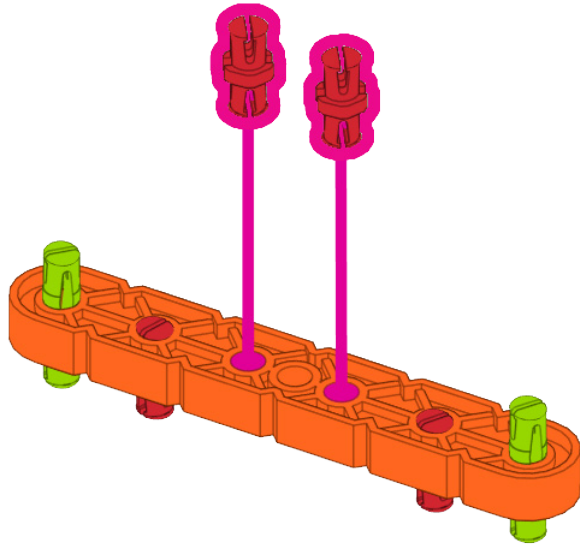


2x Red Pin      2x Green Pin      1x Orange Beam

This block contains a parts list for step 1. It features three columns of parts: two red pins, two green pins, and one orange beam. Each part is shown in a small icon above its corresponding text label.

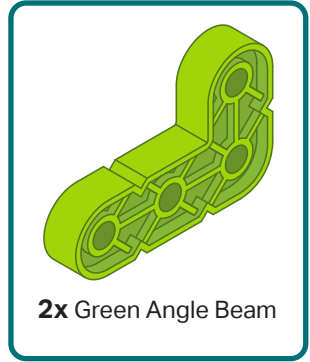
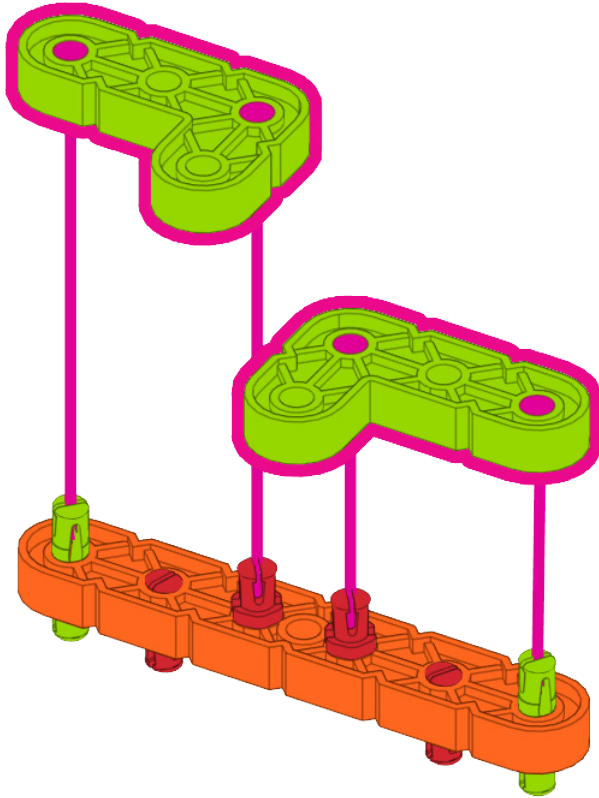


2

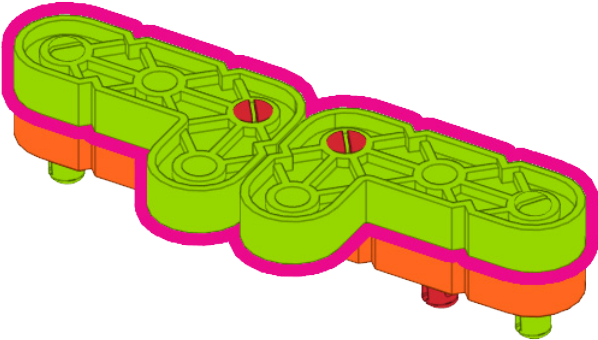


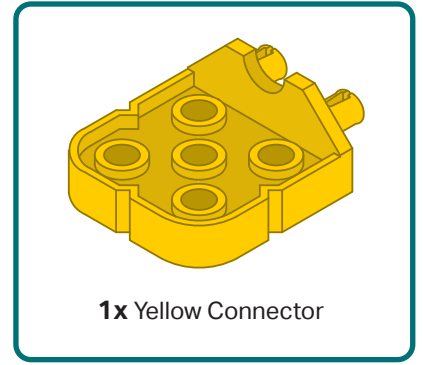
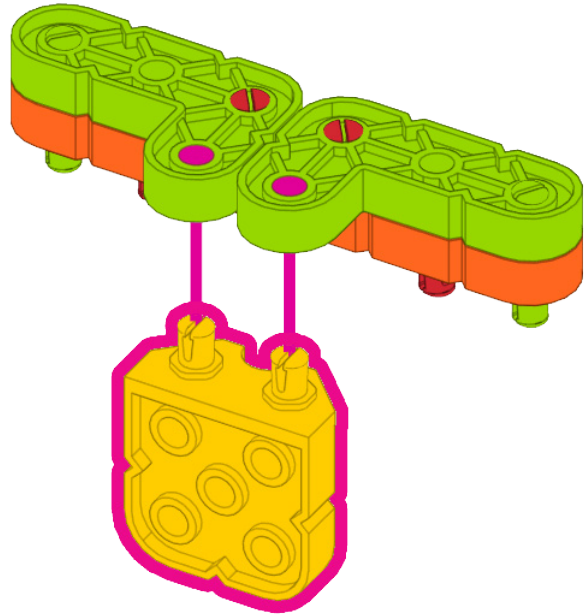
2x Red Pin

3

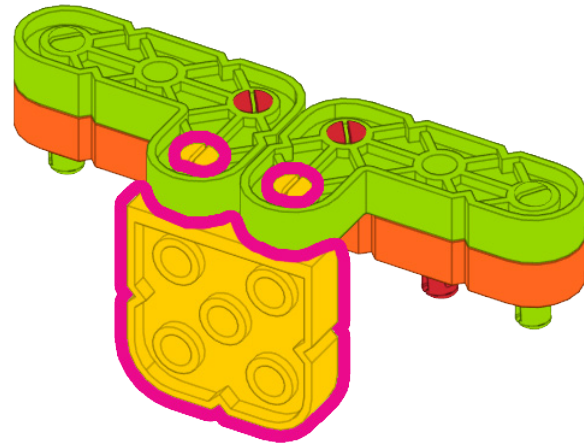


2x Green Angle Beam



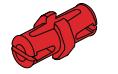
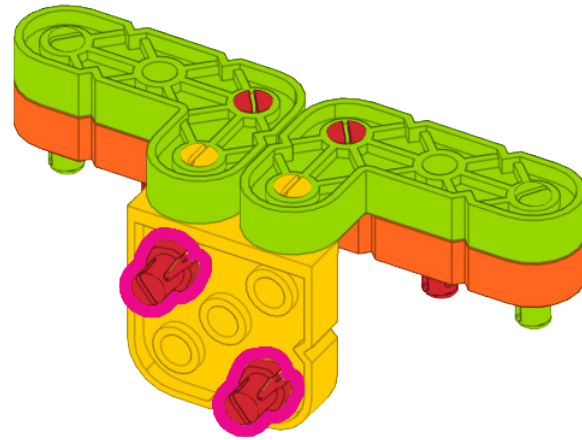
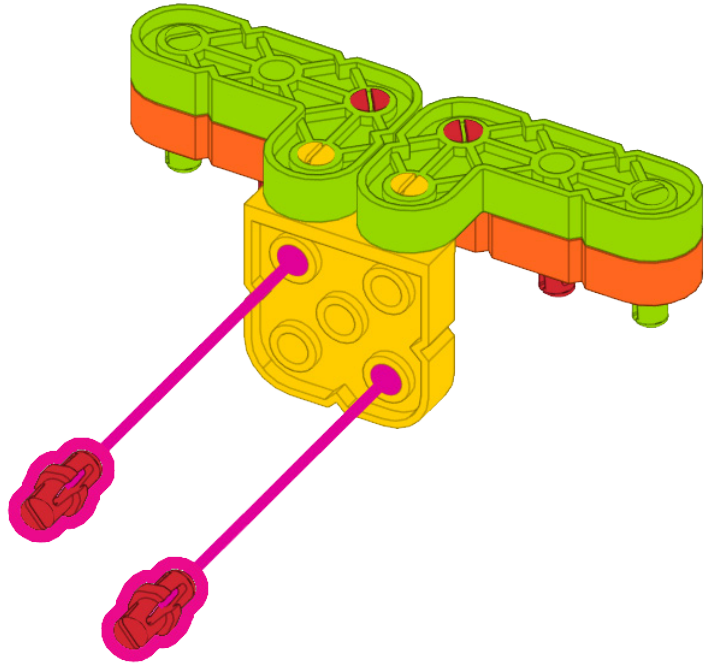


1x Yellow Connector

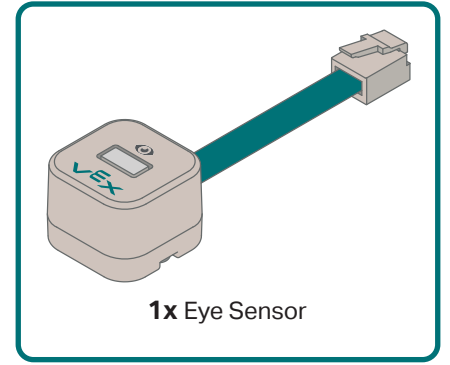
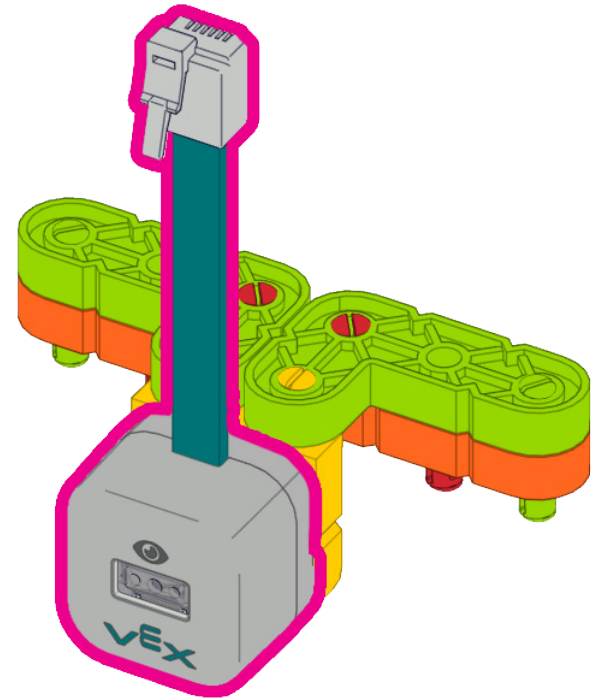
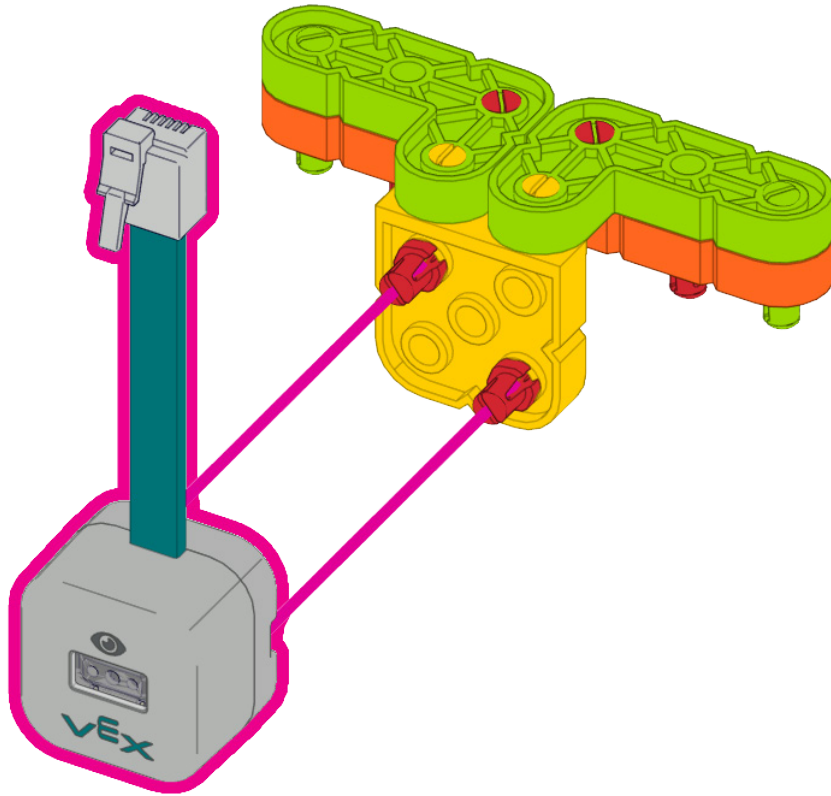




5

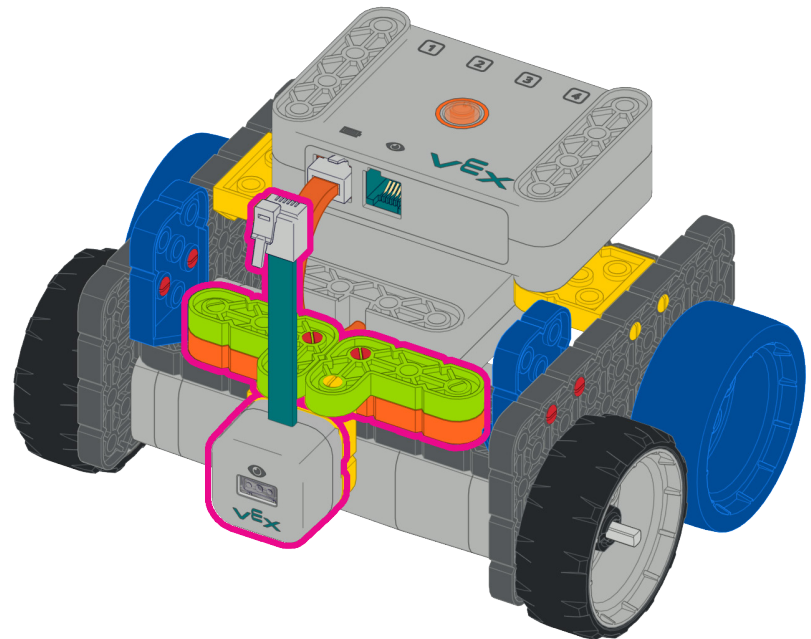
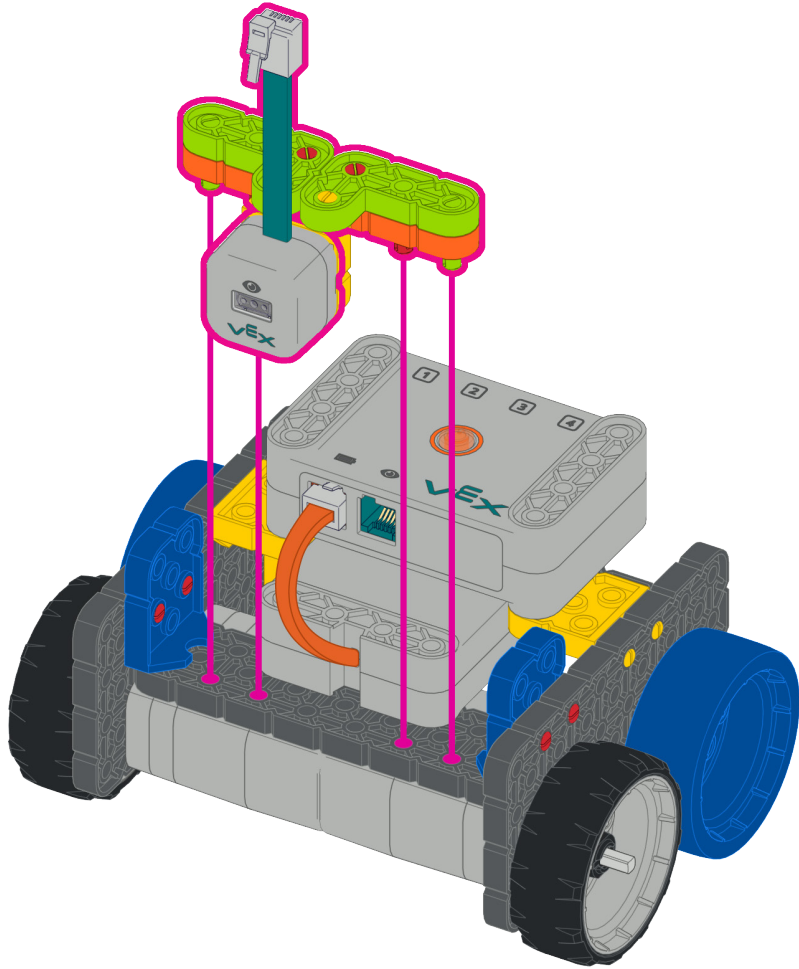


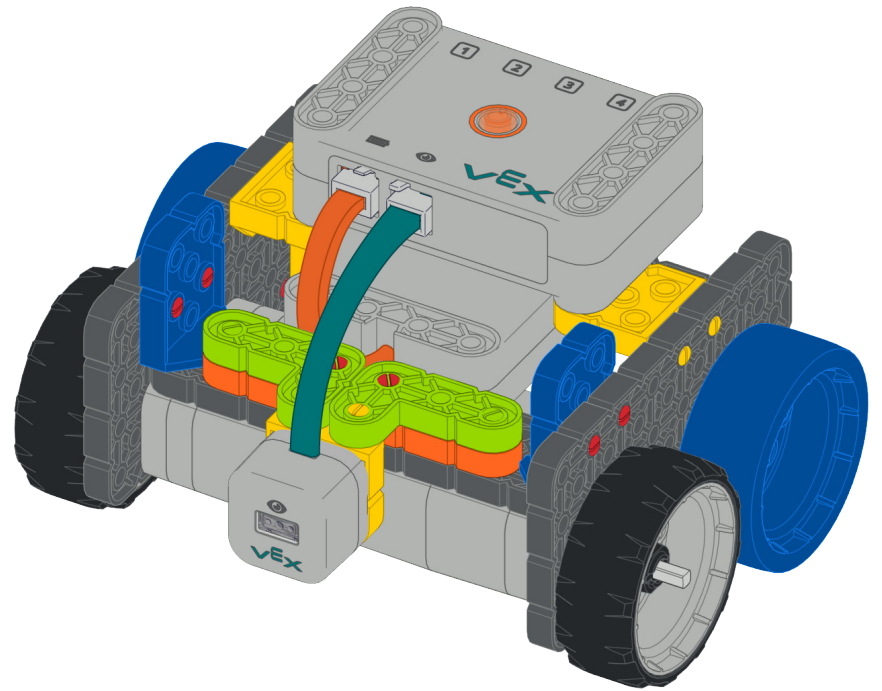
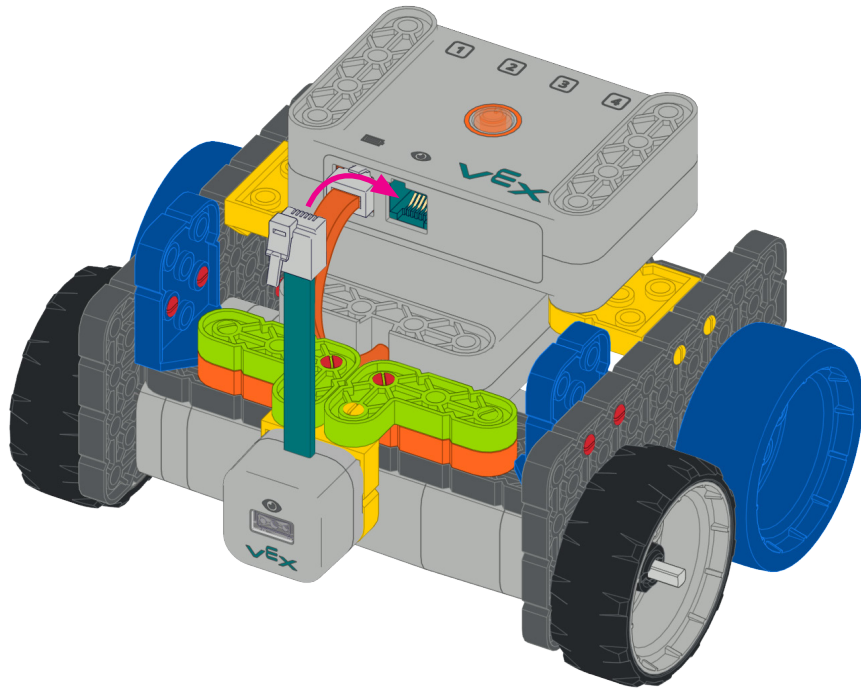
2x Red Pin





7





# Code Base - Eye Forward Build Instructions

269-6913-140 Rev3



Custom manufactured in China for Innovation First Trading SARL. Distributed in the U.S.A, Mexico, Caribbean, Central & South America by VEX Robotics, Inc., 6725 W. FM 1570, Greenville, TX 75402, U.S.A. Distributed in China by Innovation First International (Shenzhen), Ltd., Suite 1906, Excellence Tower, 98 Fuhua Yi Road, Futian, Shenzhen, Guangdong, China 518048. Distributed in other regions by Innovation First Trading SARL, Innovation First Trading SARL, Parc Logistique Eurohub Sud, 3434 – Dudelange, Luxembourg +352 27 86 04 87. Distributed in Canada by / Distribué au Canada par / Innovation First Trading, LLC, 6725 W. FM 1570, Greenville, TX 75402, U.S.A.